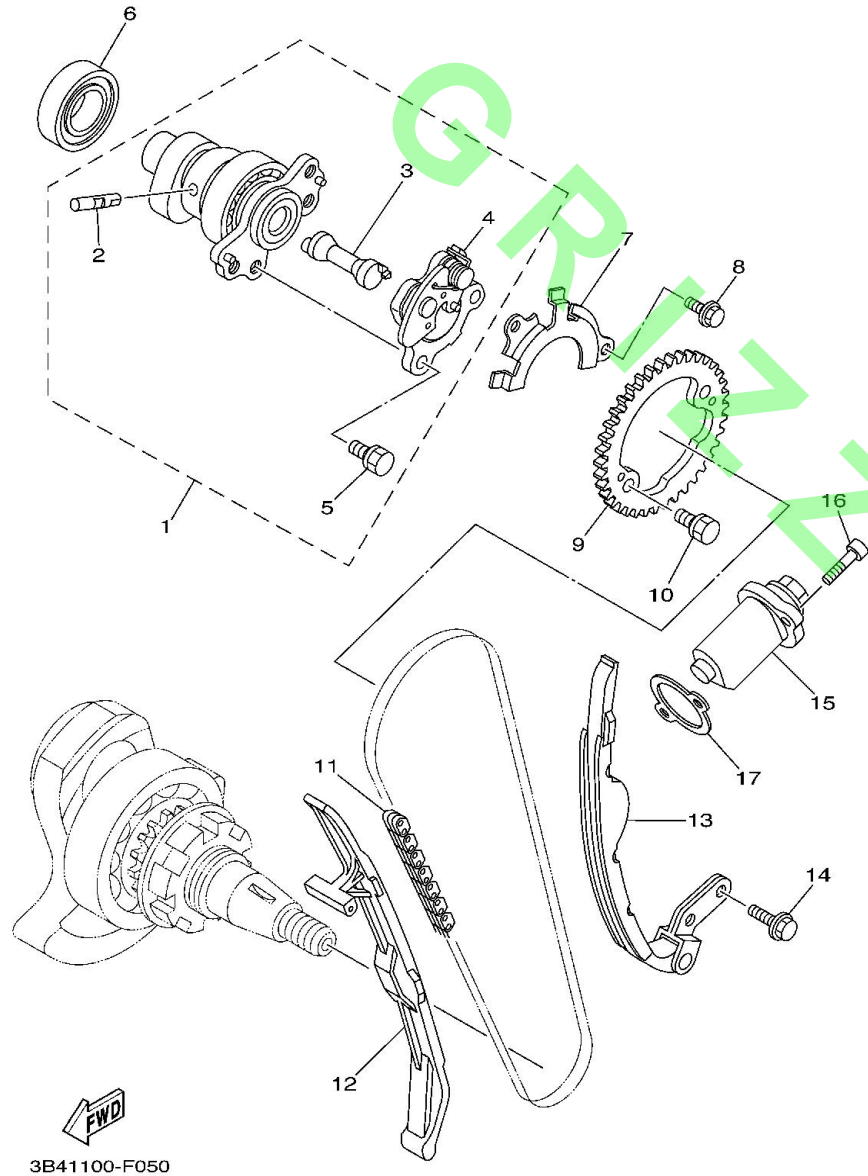
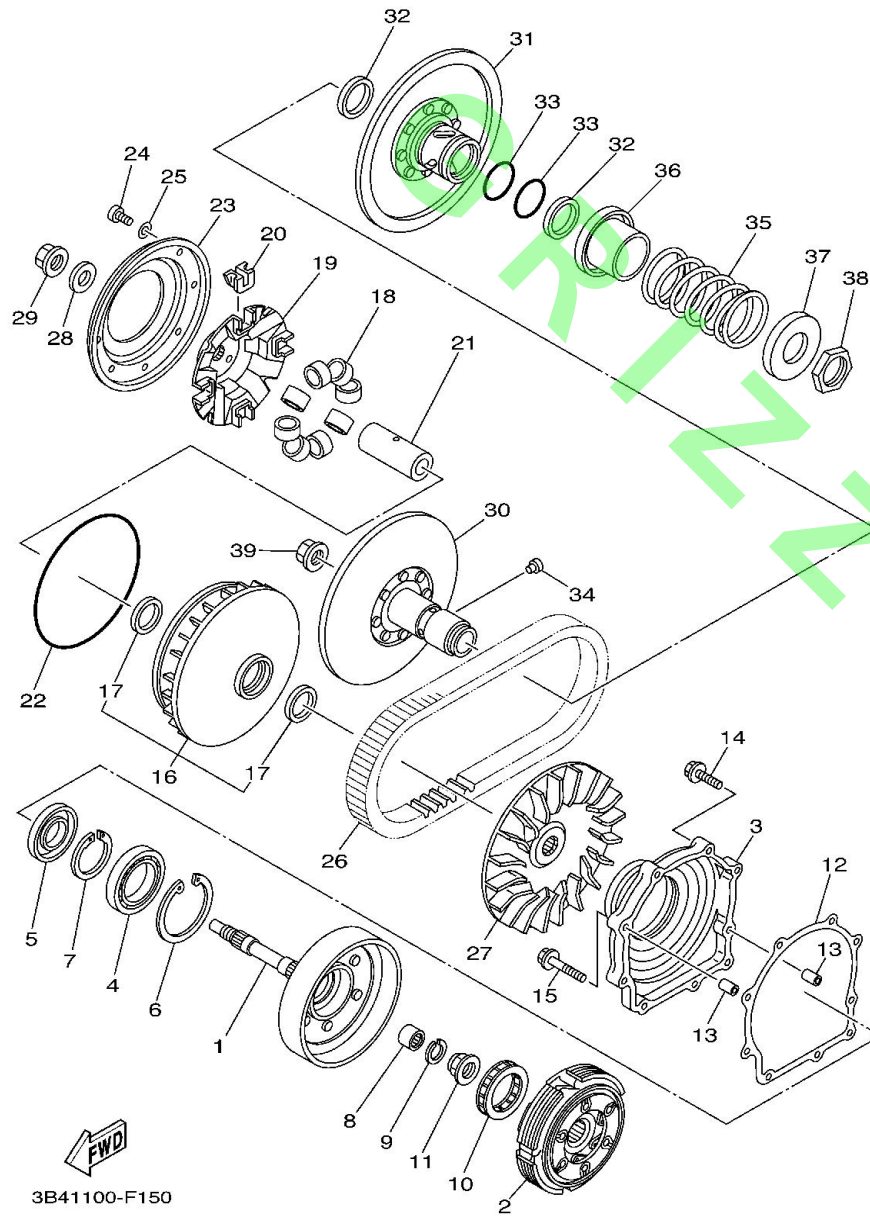


Fig. 05 CAMSHAFT & CHAIN



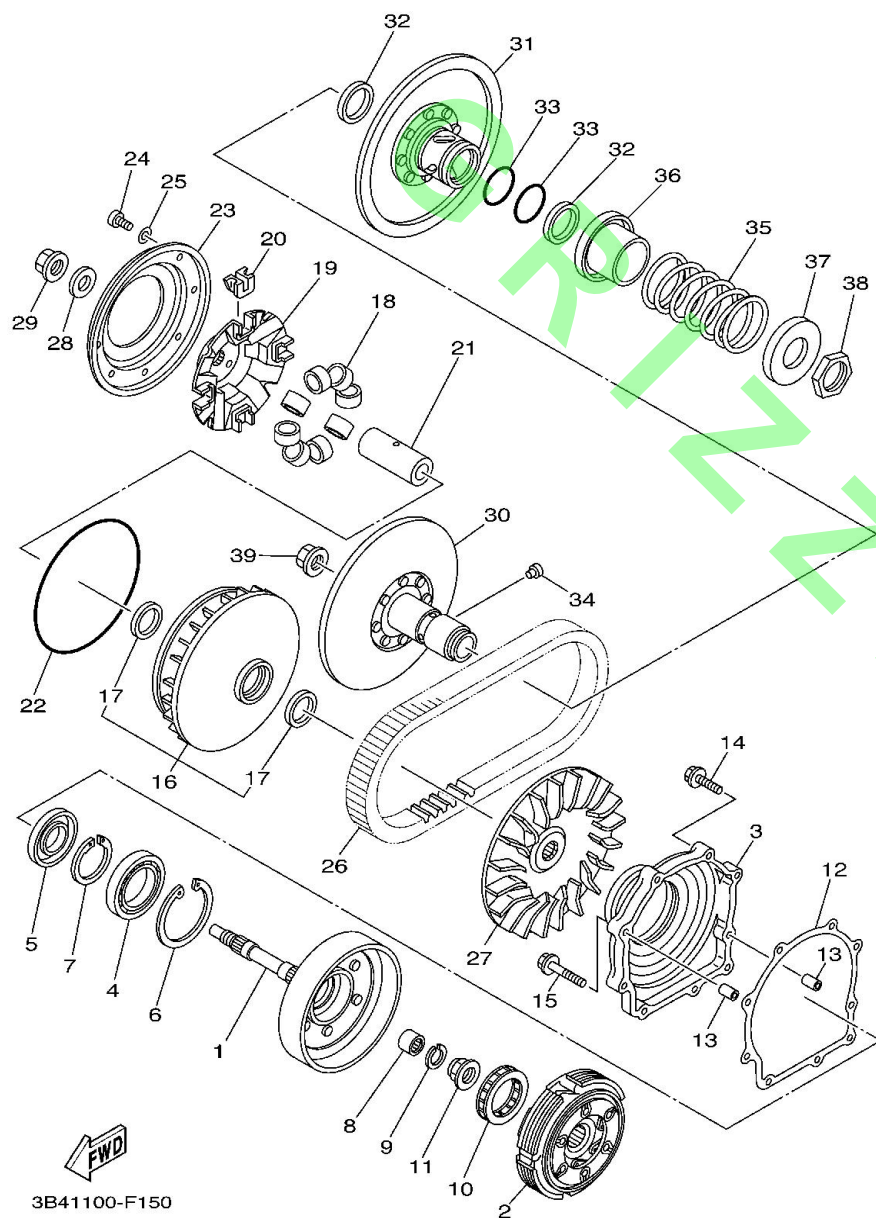
Ref. No.	Part No.	Description		Remarks
1	3B4-12170-01	CAMSHAFT ASSY 1	1	
2	5VK-12284-00	. PIN, DECOMPRESSION LEVER	1	
3	1S3-12290-00	. LEVER, DECOMPRESSION SPRING	1	
4	1S3-12280-01	. DECOMPRESSION ASSY	1	
5	90105-07004	. BOLT, FLANGE	2	
6	93306-07209	BEARING	1	
7	5VK-1111F-00	PLATE	1	
8	90105-06078	BOLT, FLANGE	2	
9	1S3-12176-00	SPROCKET, CAM CHAIN	1	
10	90105-07004	BOLT, FLANGE	2	
11	94591-57126	CHAIN (98XRH2010-126M)	1	
12	3B4-12231-01	GUIDE, STOPPER 1	1	
13	3B4-12241-00	GUIDE, STOPPER 2	1	
14	90105-06082	BOLT, FLANGE	2	
15	3TB-12210-00	TENSIONER ASSY, CAM CHAIN	1	
16	91312-06025	BOLT	2	
17	4DW-12213-00	GASKET, TENSIONER CASE	1	

Fig. 15 CLUTCH



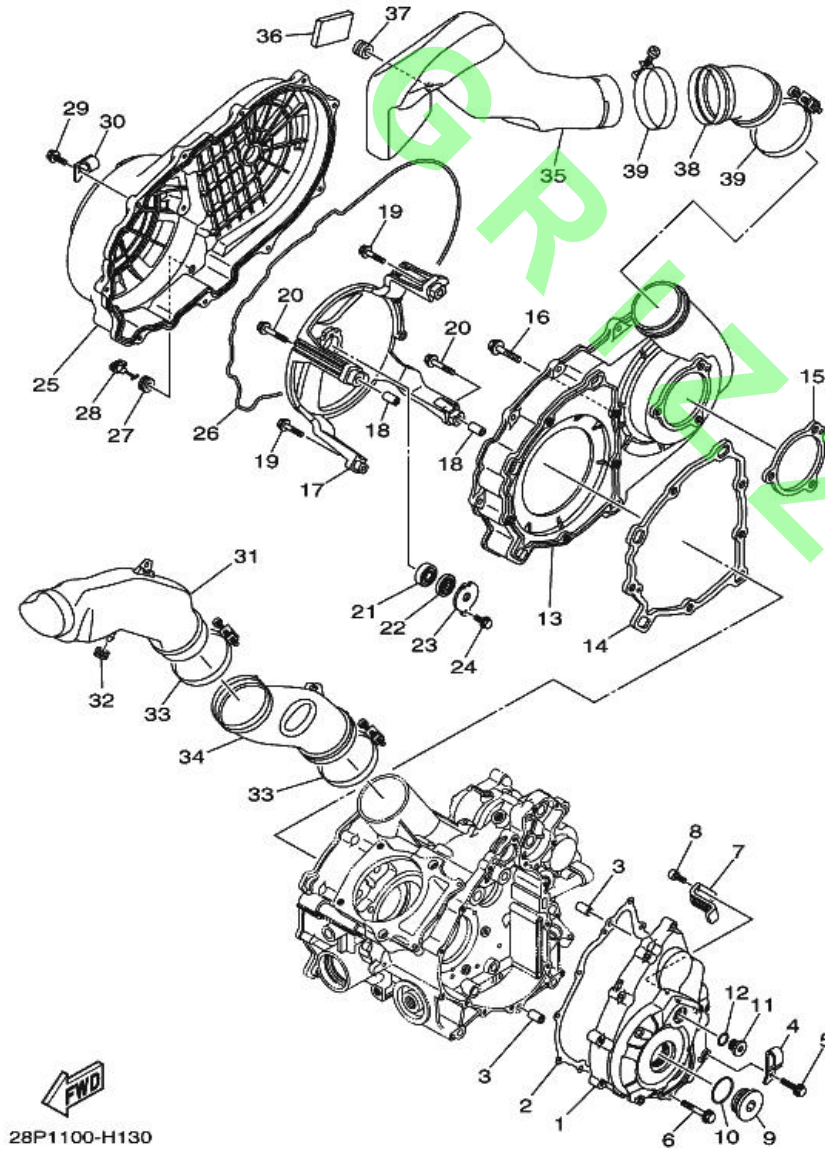
Ref. No.	Part No.	Description		Remarks
1	16B-16611-00	CLUTCH HOUSING COMP.	1	
2	3B4-16620-00	CLUTCH CARRIER ASSY	1	
3	3B4-15163-00	HOUSING, BEARING 1	1	
4	93316-01003	BEARING	1	
5	93102-35004	OIL SEAL	1	
6	99009-80500	CIRCLIP	1	
7	93410-46079	CIRCLIP	1	
8	93315-21813	BEARING	1	
9	93450-24062	CIRCLIP	1	
10	4SH-16664-00	BEARING, ONE WAY	1	
11	90179-22021	NUT	1	
12	3B4-15463-00	GASKET, COVER PINION 2	1	
13	99530-10116	PIN, DOWEL	2	
14	95022-06030	BOLT, FLANGE	7	
15	95022-06040	BOLT, FLANGE	2	
16	3B4-17606-00	PRIMARY SLIDING SHEAVE COMP.	1	
17	93101-35001	OIL SEAL	2	
18	3B4-17632-00	WEIGHT	8	
19	3B4-17623-00	CAM	1	
20	3B4-17653-00	SLIDER	4	
21	3B4-17645-00	COLLAR	1	
22	93211-594A4	O-RING	1	
23	4WV-17639-10	STOPPER	1	
24	90157-04006	SCREW, PAN HEAD	8	
25	90201-047R9	WASHER, PLATE	8	
26	3B4-17641-00	V-BELT	1	
27	3B4-17611-00	SHEAVE, PRIMARY FIXED	1	

Fig. 15 CLUTCH



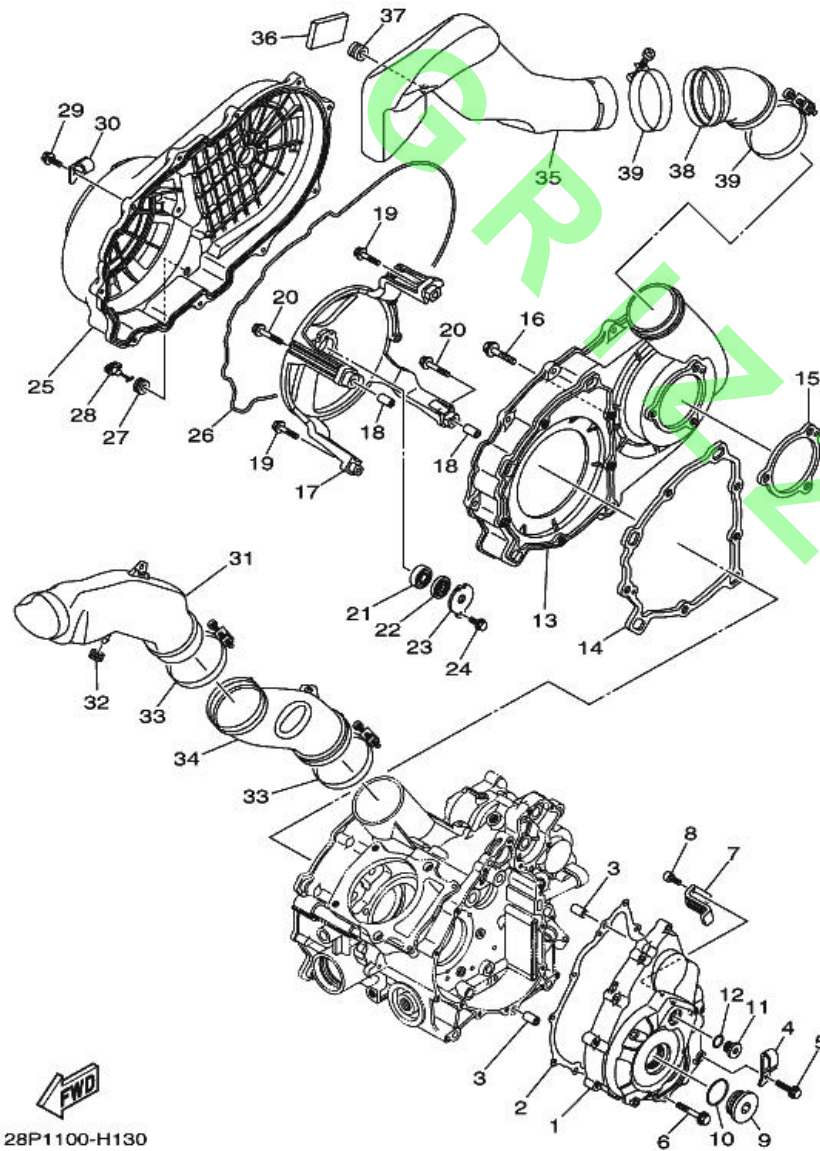
Ref. No.	Part No.	Description		Remarks
	28 90201-190T7	WASHER, PLATE	1	
	29 90179-16005	NUT	1	
	30 3B4-17660-00	SECONDARY FIXED SHEAVE COMP.	1	
	31 3B4-17670-00	SECONDARY SLIDING SHEAVE	1	
	32 93104-41119	OIL SEAL	2	
	33 93210-44545	O-RING	2	
	34 4CW-17664-00	PIN, GUIDE	4	
	35 90501-650A0	SPRING, COMPRESSION	1	
	36 4WV-17684-00	SEAT, SECONDARY SPRING	1	
	37 4WV-17644-00	SEAT, SPRING	1	
	38 90170-36279	NUT	1	
	39 90179-16005	NUT	1	

Fig. 13 CRANKCASE COVER 1



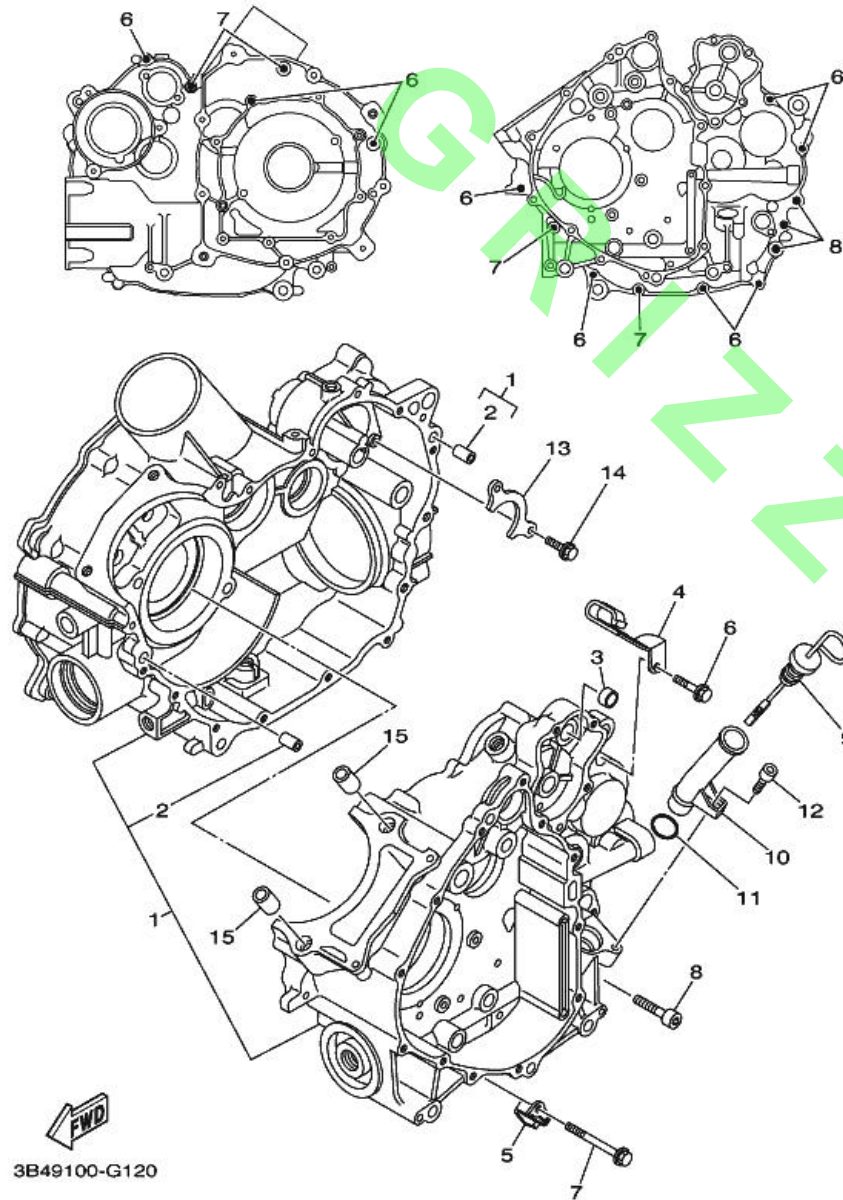
Ref. No.	Part No.	Description		Remarks
1	3B4-15411-10	COVER, CRANKCASE 1	1	
2	3B4-15451-00	GASKET, CRANKCASE COVER 1	1	
3	99530-10116	PIN, DOWEL	2	
4	90461-08004	CLAMP	1	
5	95022-06030	BOLT, FLANGE	11	
6	95022-06050	BOLT, FLANGE	1	
7	3B4-15113-00	PLATE	1	
8	90110-05031	BOLT, HEXAGON SOCKET HEAD	2	
9	90340-36002	PLUG, STRAIGHT SCREW	1	
10	93210-357A3	O-RING	1	
11	90340-14011	PLUG, STRAIGHT SCREW	1	
12	93210-14369	O-RING	1	
13	3B4-15421-00	COVER, CRANKCASE 2	1	
14	3B4-15453-00	GASKET	1	
15	3B4-15315-00	SEAL, CRANKCASE	1	
16	95822-06030	BOLT, FLANGE	8	
17	3B4-15442-00	HOUSING, BEARING	1	
18	99530-10116	PIN, DOWEL	2	
19	95822-06030	BOLT, FLANGE	2	
20	95822-06040	BOLT, FLANGE	2	
21	93306-20120	BEARING	1	
22	93101-12168	OIL SEAL	1	
23	4WV-15381-00	PLATE, BEARING COVER	1	
24	95022-06016	BOLT, FLANGE	1	
25	3B4-15431-00	COVER, CRANKCASE 3	1	
26	3B4-15379-00	SEAL, CRANKCASE	1	
27	90480-13018	GROMMET	1	

Fig. 13 CRANKCASE COVER 1



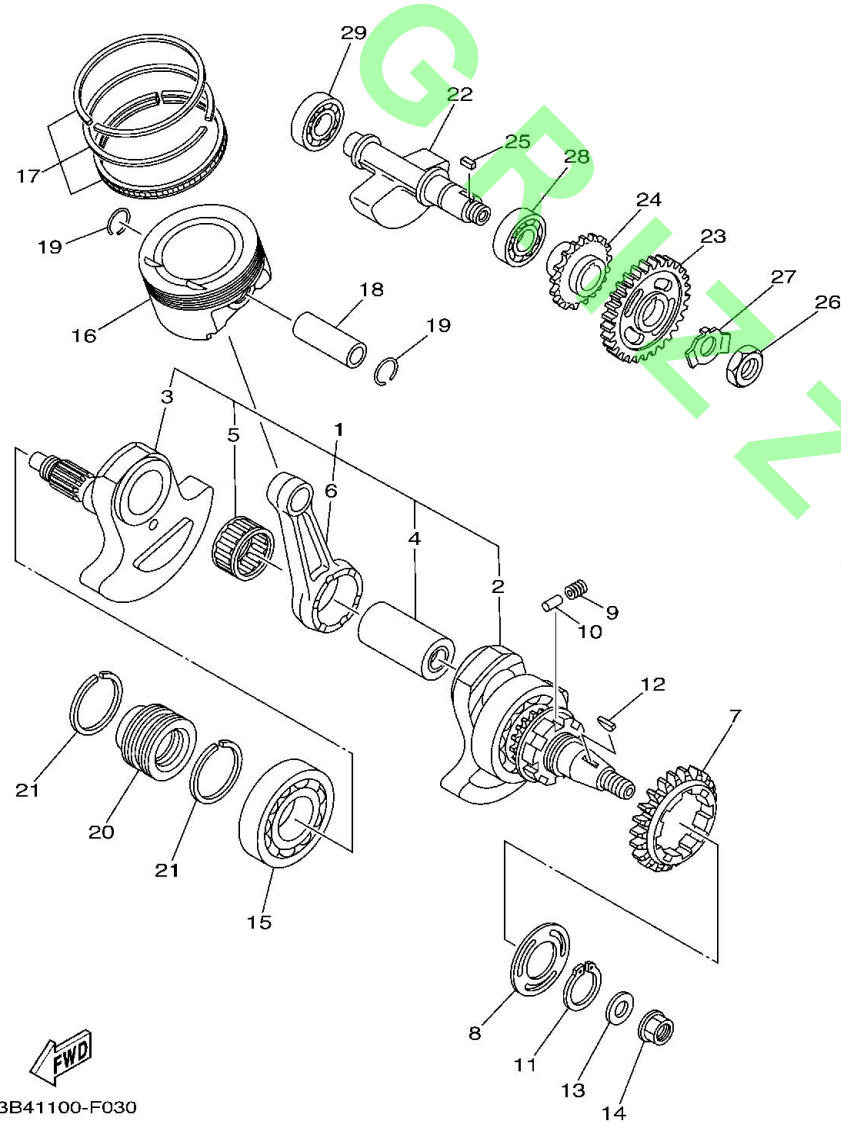
Ref. No.	Part No.	Description		Remarks
	28 5KM-15351-00	PLUG, DRAIN	1	
	29 95822-06020	BOLT, FLANGE	12	
	30 90462-08055	CLAMP	1	
	31 3B4-15471-00	DUCT, AIR	1	
	32 90480-13567	GROMMET	1	
	33 90460-85135	CLAMP, HOSE	2	
	34 3B4-15472-00	SEAL, AIR DUCT	1	
	35 3B4-15473-00	DUCT, AIR	1	
	36 1S3-82123-00	SEAT, BATTERY	2	
	37 90480-13398	GROMMET	1	
	38 3B4-15474-00	SEAL, AIR DUCT	1	
	39 90460-85135	CLAMP, HOSE	2	

Fig. 12 CRANKCASE



Ref. No.	Part No.	Description		Remarks
1	3B4-15100-24	CRANKCASE ASSY	1	
2	99530-10116	. PIN, DOWEL	2	
3	3B4-18581-00	SPACER, CAM SHAFT	1	
4	90462-16003	CLAMP	1	
5	90462-08049	CLAMP	1	
6	95022-06030	BOLT, FLANGE	9	
7	95022-06060	BOLT, FLANGE	4	
8	91312-08040	BOLT	3	
9	3B4-15362-00	PLUG, OIL LEVEL	1	
10	3B4-15112-01	PIPE, OIL	1	
11	93210-21631	O-RING	1	
12	91312-06012	BOLT	1	
13	3B4-15388-00	PLATE, BEARING COVER	1	
14	90105-06082	BOLT, FLANGE	2	
15	99530-14016	PIN, DOWEL	2	

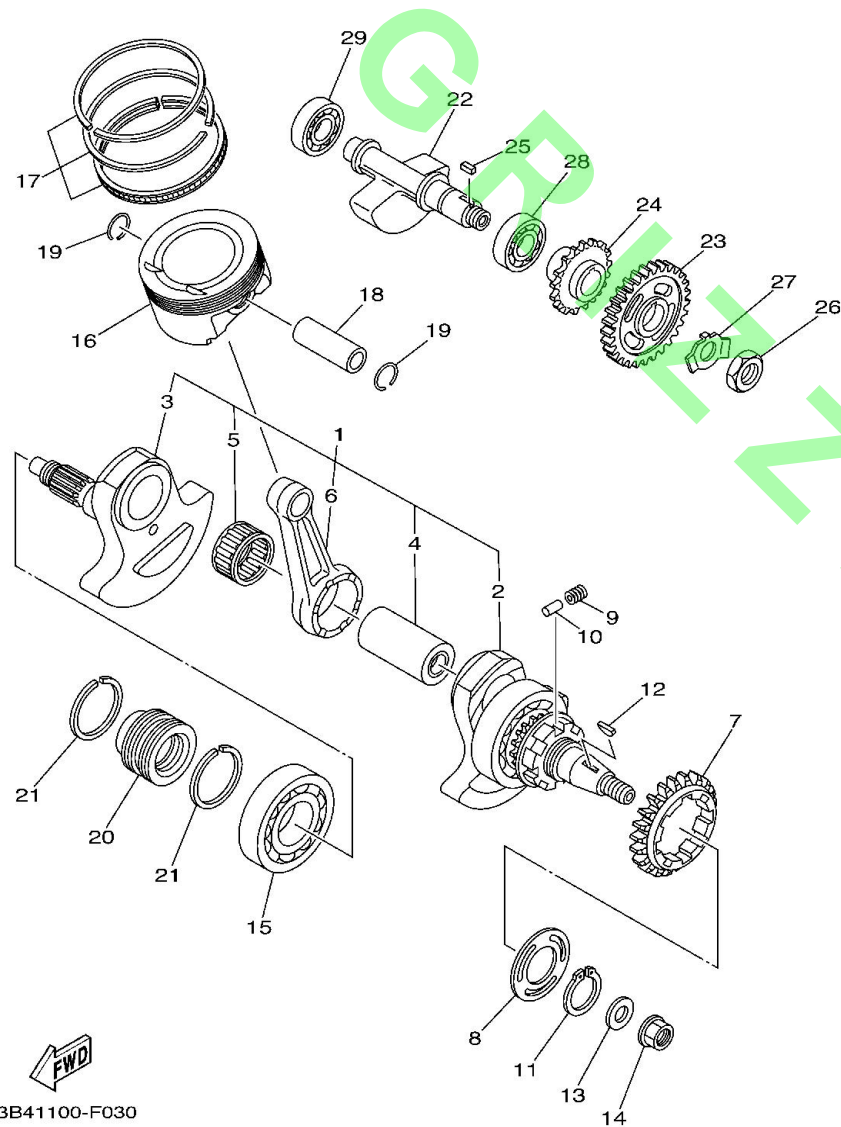
Fig. 03 CRANKSHAFT & PISTON



3B41100-F030

Ref. No.	Part No.	Description		Remarks
	1 3B4-11400-00	CRANKSHAFT ASSY	1	
	2 3B4-11401-09	. CRANK SUB ASSY 1	1	
	3 3B4-11402-09	. CRANK SUB ASSY 2	1	
	4 1S3-11681-00	. PIN, CRANK 1	1	
	5 93310-84017	. BEARING	1	
<hr/>				
	6 1S3-11651-00	. ROD, CONNECTING	1	
	7 5KM-11536-10	GEAR, DRIVE (46T)	1	
	8 5KM-11565-00	WASHER, BEARING COVER	1	
	9 90501-220A1	SPRING, COMPRESSION	8	
	10 93606-09002	PIN, DOWEL	4	
<hr/>				
	11 99009-35400	CIRCLIP	1	
	12 90280-05001	KEY, WOODRUFF	1	
	13 90201-16013	WASHER, PLATE	1	
	14 90179-16004	NUT	1	
	15 93306-30810	BEARING	1	
<hr/>				
	16 1S3-11631-10	PISTON (STD)	1	
	17 1S3-11603-10	PISTON RING SET (STD)	1	
	18 5VK-11633-00	PIN, PISTON	1	
	19 93450-24154	CIRCLIP	2	
	20 3B4-16181-00	SPACER 1	1	
<hr/>				
	21 3B4-11447-00	SEAL, CRANK	2	
	22 3B4-11454-00	WEIGHT 1	1	
	23 3B4-11531-00	GEAR, BALANCE WEIGHT	1	
	24 3B4-13354-00	SPROCKET, DRIVE	1	
	25 90282-05007	KEY, STRAIGHT	1	
<hr/>				
	26 90170-18003	NUT	1	
	27 90215-18001	WASHER, LOCK	1	

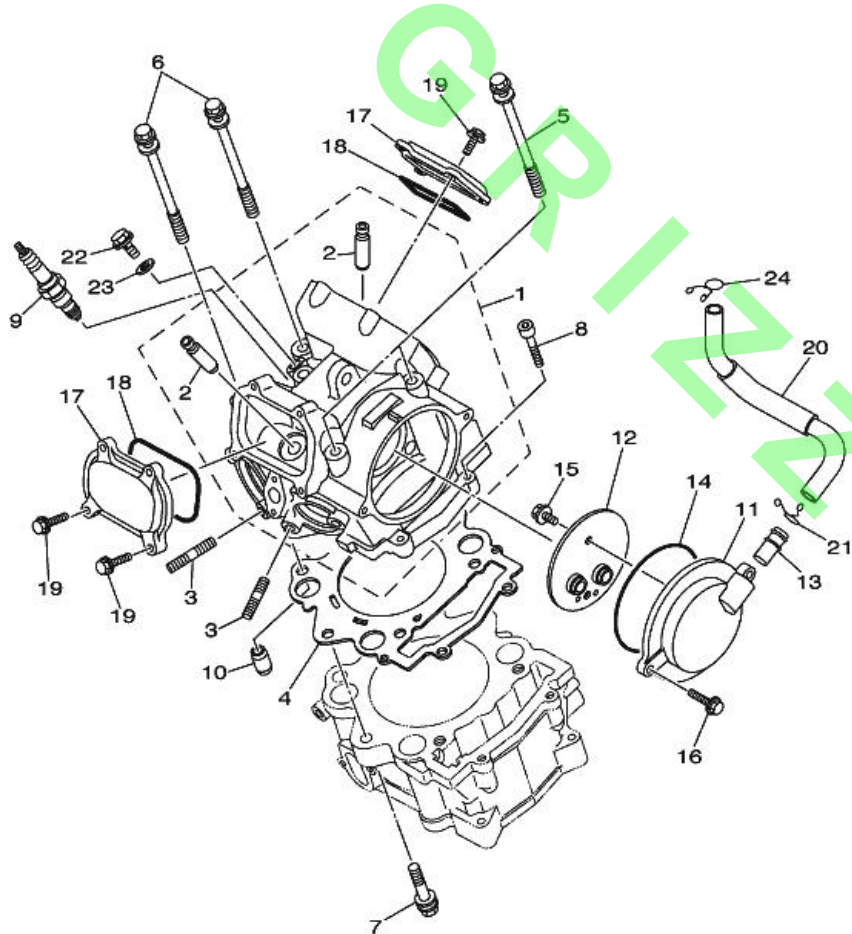
Fig. 03 CRANKSHAFT & PISTON



3B41100-F030

Ref. No.	Part No.	Description		Remarks
	28 93306-30534	BEARING	1	
	29 93306-30438	BEARING	1	

Fig. 01 CYLINDER HEAD

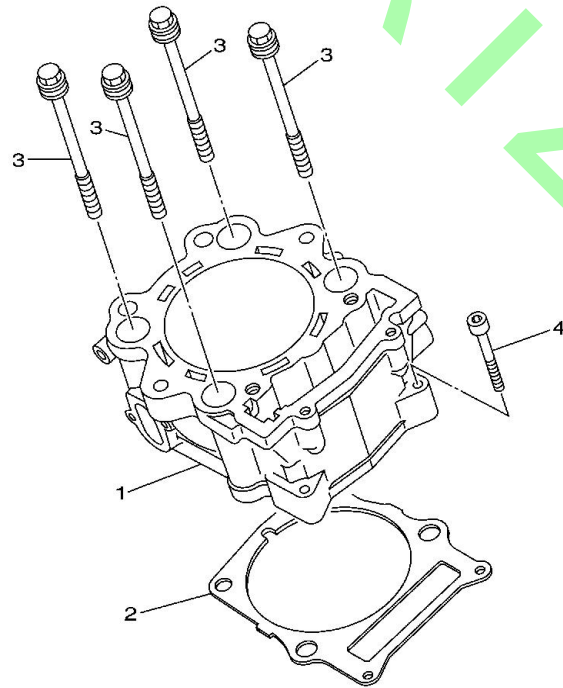



3B49100-G010

Ref. No.	Part No.	Description		Remarks
	1 16B-11102-00	CYLINDER HEAD ASSY	1	
	2 4G0-11133-11	. GUIDE, VALVE 1	4	
	3 95612-08625	BOLT, STUD	4	
	4 3B4-11181-00	GASKET, CYLINDER HEAD 1	1	
	5 90109-09003	BOLT	2	
	6 90109-09002	BOLT	2	
	7 90109-09005	BOLT	2	
	8 91312-06030	BOLT	2	
	9 94701-00423	PLUG, SPARK (NGK LMAR6A-9)	1	
	10 93612-16254	PIN, DOWEL	2	
	11 3B4-11185-00	COVER, CYLINDER HEAD SIDE 1	1	
	12 3B4-11165-00	PLATE, BREATHER	1	
	13 371-11167-01	PIPE, BREATHER 2	1	
	14 93210-96601	O-RING	1	
	15 95022-06012	BOLT, FLANGE	2	
	16 95022-06020	BOLT, FLANGE	2	
	17 1S3-11186-00	COVER, CYLINDER HEAD SIDE 2	2	
	18 93210-78544	O-RING	2	
	19 95022-06020	BOLT, FLANGE	8	
	20 3B4-11166-01	PIPE, BREATHER 1	1	
	21 90467-140A4	CLIP	1	
	22 90401-08004	BOLT, UNION	1	
	23 90430-08119	GASKET	1	
	24 90467-150A2	CLIP	1	

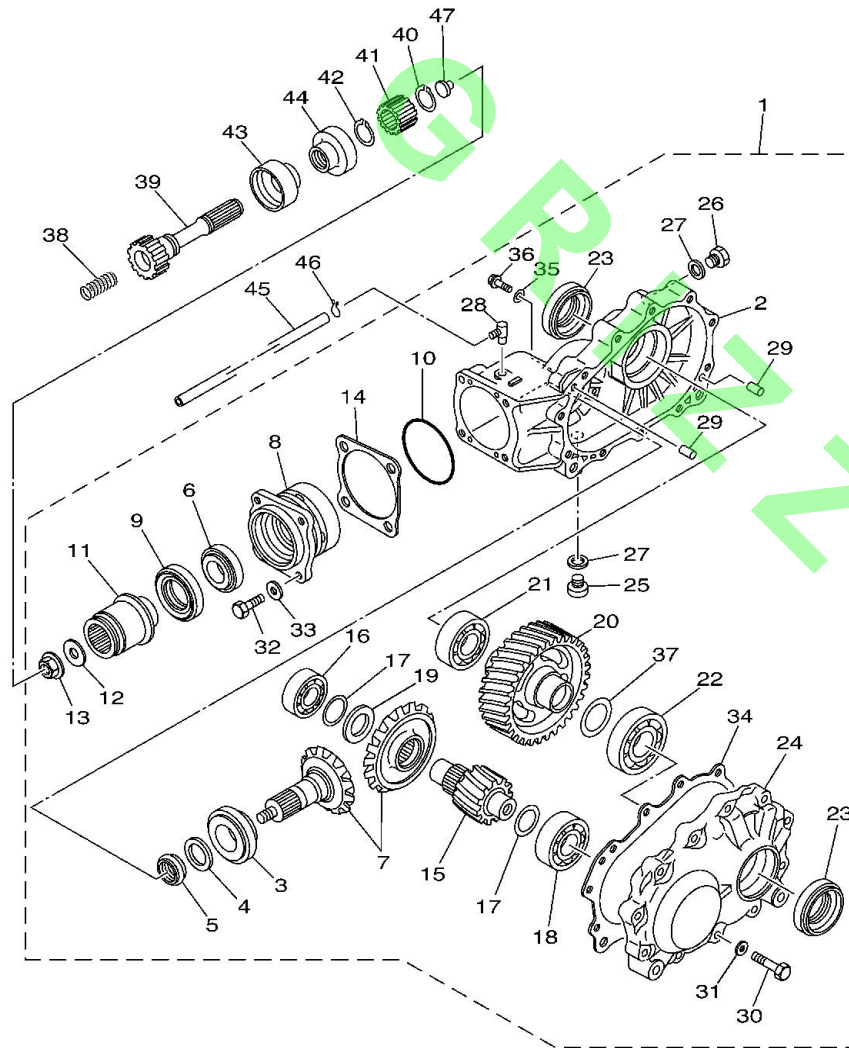
Fig. 02 CYLINDER

Ref. No.	Part No.	Description		Remarks
1	3B4-11311-10	CYLINDER 1	1	
2	1S3-11351-00	GASKET, CYLINDER	1	
3	90119-10023	BOLT, WITH WASHER	4	
4	91312-06040	BOLT	2	



3B41100-F020

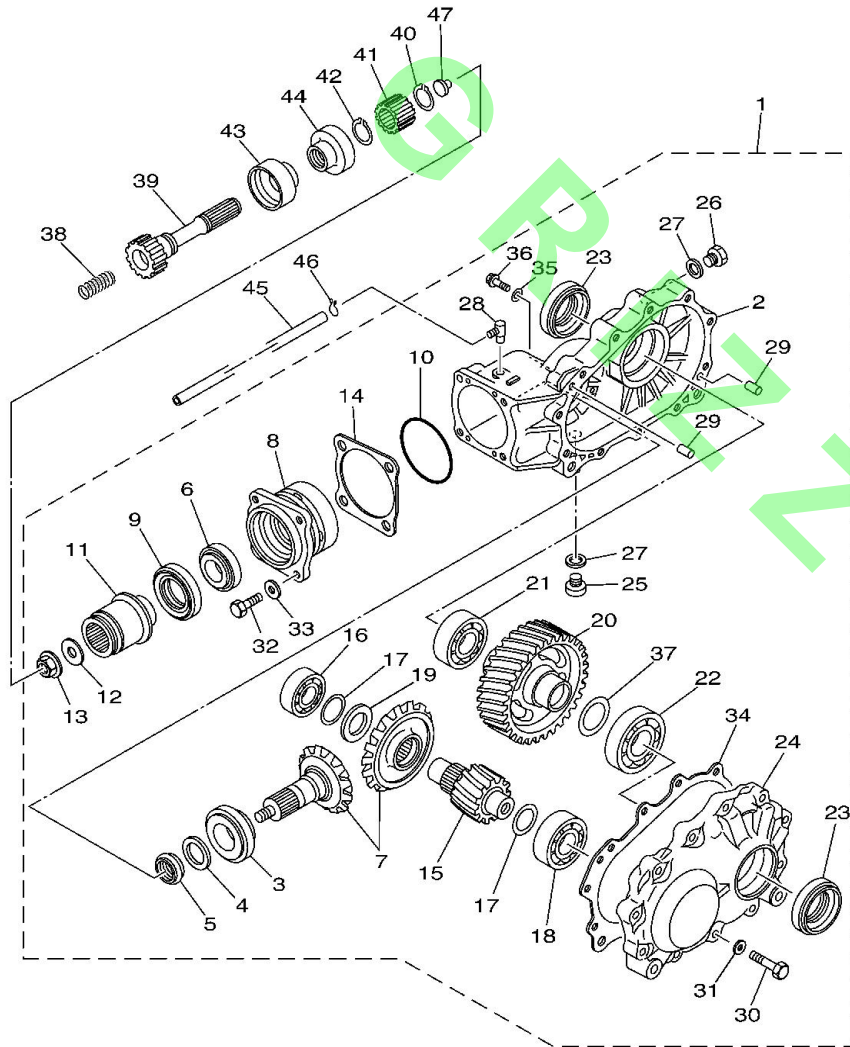
Fig. 26 DRIVE SHAFT



3B41100-F260

Ref. No.	Part No.	Description		Remarks
1	3B4-46101-10	REAR AXLE GEAR CASE ASSY	1	
2	3B4-46151-00	. HOUSING, DRIVE SHAFT	1	
3	93332-00046	. BEARING	1	
4	90201-25634	. WASHER, PLATE	1	
5	3B4-46129-00	. SPACER, EXPANSION	1	
6	93332-00053	. BEARING	1	
7	3B4-461A0-00	. RING GEAR SET	1	
8	3B4-46144-00	. HOUSING, PINION BEARING	1	
9	93102-35009	. OIL SEAL	1	
10	93210-626A7	. O-RING	1	
11	3B4-46126-10	. COUPLING	1	
12	90201-12029	. WASHER, PLATE	1	
13	90179-12005	. NUT	1	
14	2HR-46127-00-25	. SHIM, DRIVE PISTON (0.25T)	1	UR
	2HR-46127-00-30	. SHIM, DRIVE PISTON (0.30T)	1	UR
	2HR-46127-00-35	. SHIM, DRIVE PISTON (0.35T)	1	UR
	2HR-46127-00-40	. SHIM, DRIVE PISTON (0.40T)	1	UR
	2HR-46127-00-45	. SHIM, DRIVE PISTON (0.45T)	1	UR
	2HR-46127-00-50	. SHIM, DRIVE PISTON (0.50T)	1	UR
15	3B4-46316-00	. GEAR, PINION 1	1	
16	93306-205U0	. BEARING	1	
17	3B4-46119-00	. SHIM, THRUST (0.25T)	2	UR
	3B4-46119-10	. SHIM, THRUST (0.30T)	2	UR
	3B4-46119-20	. SHIM, THRUST (0.35T)	2	UR
	3B4-46119-30	. SHIM, THRUST (0.40T)	2	UR
	3B4-46119-40	. SHIM, THRUST (0.45T)	2	UR
	3B4-46119-50	. SHIM, THRUST (0.50T)	2	UR

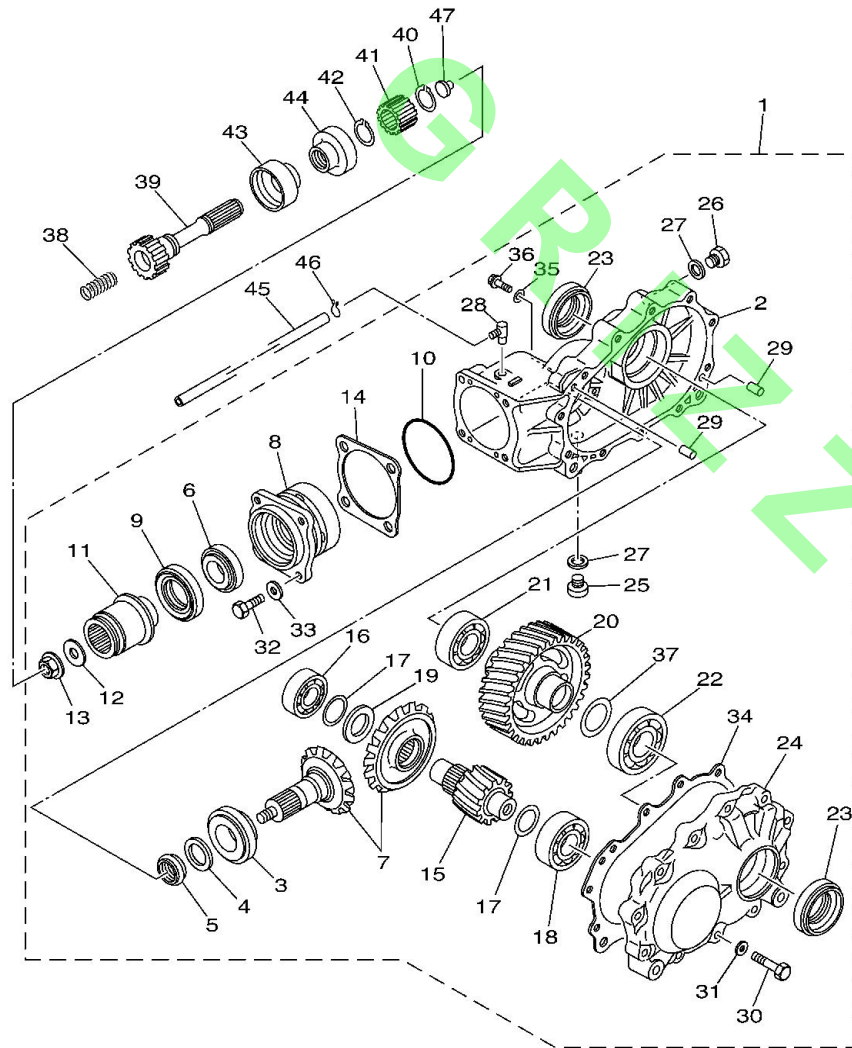
Fig. 26 DRIVE SHAFT



3B41100-F260

Ref. No.	Part No.	Description	Quantity	Remarks
18	93306-30523	. BEARING	1	
19	3B4-4621F-00	. SHIM,THRUST (4.5T)	1	UR
	3B4-4621F-10	. SHIM,THRUST (4.8T)	1	UR
	3B4-4621F-20	. SHIM,THRUST (5.1T)	1	UR
	3B4-4621F-30	. SHIM,THRUST (5.4T)	1	UR
20	3B4-46326-00	. GEAR, WHEEL 1	1	
21	93306-00704	. BEARING	1	
22	93306-207U0	. BEARING	1	
23	93102-35009	. OIL SEAL	2	
24	3B4-46152-00	. HOUSING, BEARING	1	
25	90340-14002	. PLUG, STRAIGHT SCREW	1	
26	90340-14029	. PLUG, STRAIGHT SCREW	1	
27	214-11198-01	. GASKET	2	
28	5UG-15371-00	. BREATHER	1	
29	99530-10014	. PIN, DOWEL	2	
30	97022-08035	. BOLT	11	
31	92902-08600	. WASHER, PLATE	11	
32	97022-08025	. BOLT	4	
33	92902-08600	. WASHER, PLATE	4	
34	3B4-4631A-01	. GSKT., CASE	1	
35	90201-08087	. WASHER, PLATE	1	
36	95022-08012	. BOLT, FLANGE	1	
37	3B4-46344-00	. SHIM (0.25T)	1	UR
	3B4-46344-10	. SHIM (0.30T)	1	UR
	3B4-46344-20	. SHIM (0.35T)	1	UR
	3B4-46344-30	. SHIM (0.40T)	1	UR
	3B4-46344-40	. SHIM (0.45T)	1	UR

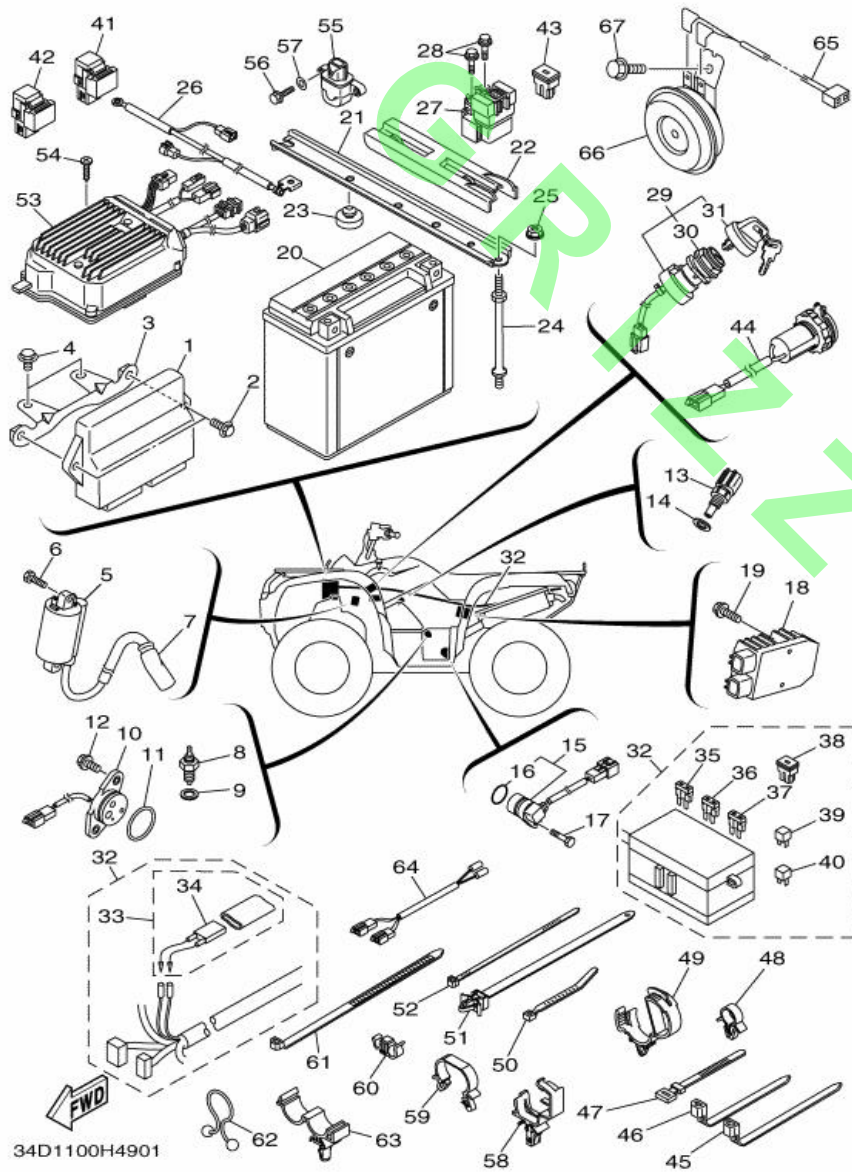
Fig. 26 DRIVE SHAFT



3B41100-F260

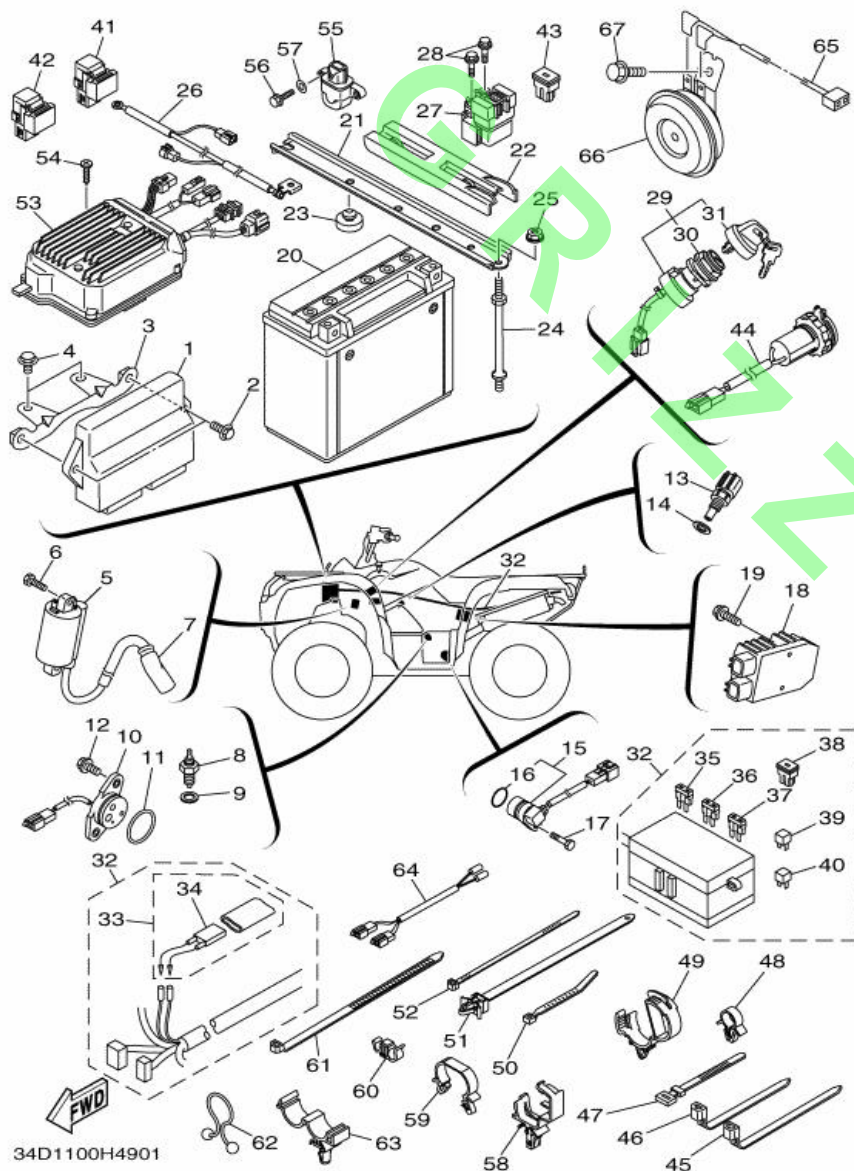
Ref. No.	Part No.	Description		Remarks
	3B4-46344-50	. SHIM (0.50T)	1	UR
	38 90501-18002	SPRING, COMPRESSION	1	
	39 3B4-46172-10	SHAFT, DRIVE	1	
	40 99009-19400	CIRCLIP	1	
	41 5KM-46126-00	COUPLING	1	
	42 93410-22039	CIRCLIP	1	
	43 5KM-46137-00	SEAL 2	1	
	44 5KM-46136-00	SEAL 1	1	
	45 90445-074F6	HOSE (L1300)	1	
	46 90467-07029	CLIP	1	
	47 5KM-46559-00	DAMPER	1	

Fig. 49 ELECTRICAL 1



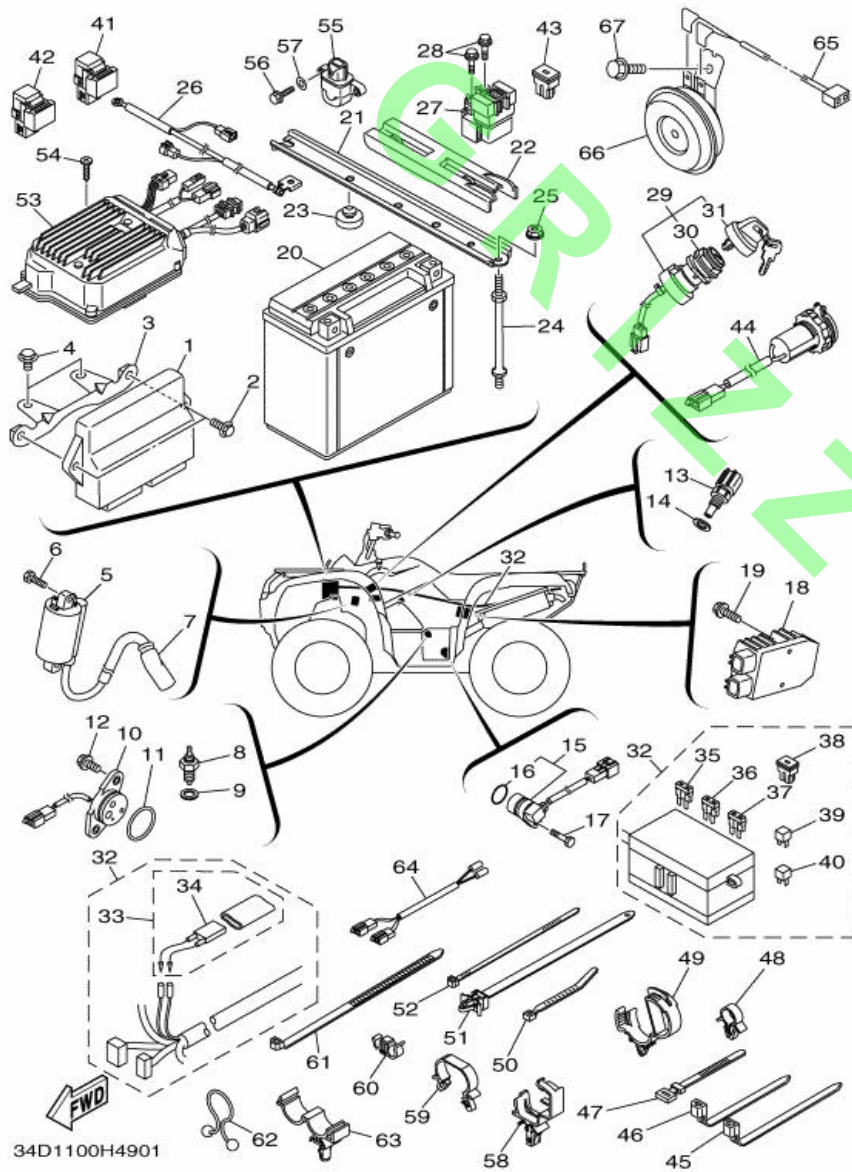
Ref. No.	Part No.	Description	Remarks
1	3B4-8591A-20	ENGINE CONTROL UNIT ASSY	1
2	95802-06016	BOLT, FLANGE	2
3	28P-2830X-00	BRKT., CONTROL UNIT	1
4	95802-06012	BOLT, FLANGE	2
5	1D7-82310-01	IGNITION COIL ASSY	1
6	97002-06016	BOLT	2
7	28P-82370-00	PLUG CAP ASSY	1
8	3GB-82540-01	NEUTRAL SWITCH ASSY	1
9	90430-10148	GASKET	1
10	3B4-82540-01	NEUTRAL SWITCH ASSY	1
11	93210-29196	O-RING	1
12	90119-06137	BOLT, WITH WASHER	2
13	8CC-85790-01	THERMOSENSOR ASSY	1
14	90430-12202	GASKET	1
15	3B4-83755-00	SENSOR, SPEED	1
16	4D9-81168-00	O-RING	1
17	91312-06020	BOLT	1
18	1D7-81960-00	RECTIFIER & REGULATOR ASSY	1
19	95802-06020	BOLT, FLANGE	2
20	4SH-82100-22	BATTERY ASSY (YUASA YTX20L-BS)	1
21	3B4-82128-00	BRACKET, BATTERY	1
22	3B4-82129-00	COVER, BATTERY	1
23	22W-24741-00	PAD, SEAT	2
24	3B4-82133-10	SCREW, FITTING	2
25	95702-06500	NUT, FLANGE	2
26	34D-82116-00	WIRE, MINUS LEAD	1
27	3B4-81940-00	STARTER RELAY ASSY	1

Fig. 49 ELECTRICAL 1



Ref. No.	Part No.	Description		Remarks
	28 95022-06008	BOLT, FLANGE	2	
	29 28P-82510-00	MAIN SWITCH ASSY	1	
	30 3HN-82569-00	. NUT, MAIN SWITCH	1	
	31 3HN-82579-00	. CAP, KEY	1	
	32 34D-82590-00	WIRE HARNESS ASSY	1	
	33 4GB-82180-00	. CIRCUIT BREAKER ASSY	1	
	34 4GB-82560-00	.. THERMO SWITCH ASSY	1	
	35 5JJ-82151-10	. FUSE (15A-BL)	5	
	36 5JJ-82151-20	. FUSE (20A-BL)	2	
	37 5JJ-82151-90	. FUSE (5A-BL)	2	
	38 5PS-82151-00	. FUSE (40A)	2	
	39 4WA-81980-00	. DIODE ASSY	2	
	40 5VG-81980-00	. DIODE ASSY	1	
	41 5DM-81950-00	RELAY ASSY (G8HN-1C4T-DJ-Y52)	3	
	42 8FP-81950-01	RELAY ASSY	3	
	43 5PS-82151-00	FUSE (40A)	1	
	44 3B4-8254B-00	TERMINAL COMP.	1	
	45 90464-15195	CLAMP	2	
	46 90464-13073	CLAMP	4	
	47 437-83936-01	BAND, SWITCH CORD	4	
	48 90464-15157	CLAMP	6	
	49 90464-20181	CLAMP	2	
	50 90465-10098	CLAMP	1	
	51 90464-10112	CLAMP	1	
	52 5Y9-12491-00	CLAMP 1	2	
	53 3B4-859A0-10	POWER STRG. CONT. UNIT ASSY	1	
	54 98902-06020	SCREW, BIND	1	

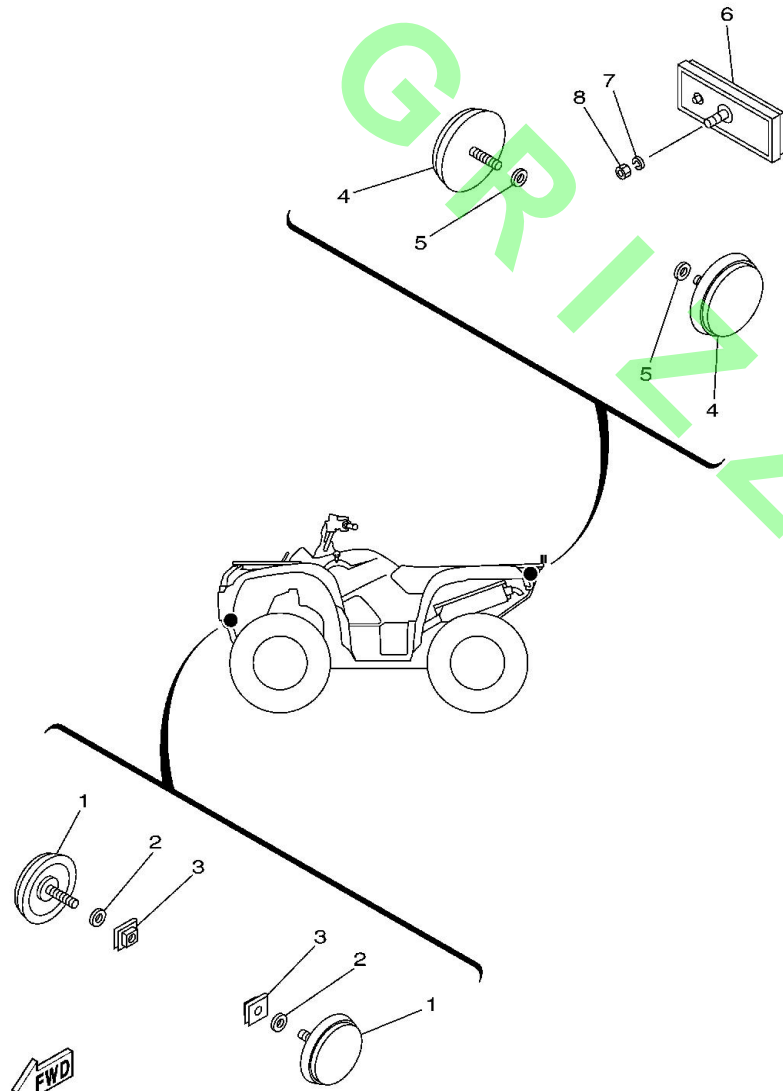
Fig. 49 ELECTRICAL 1



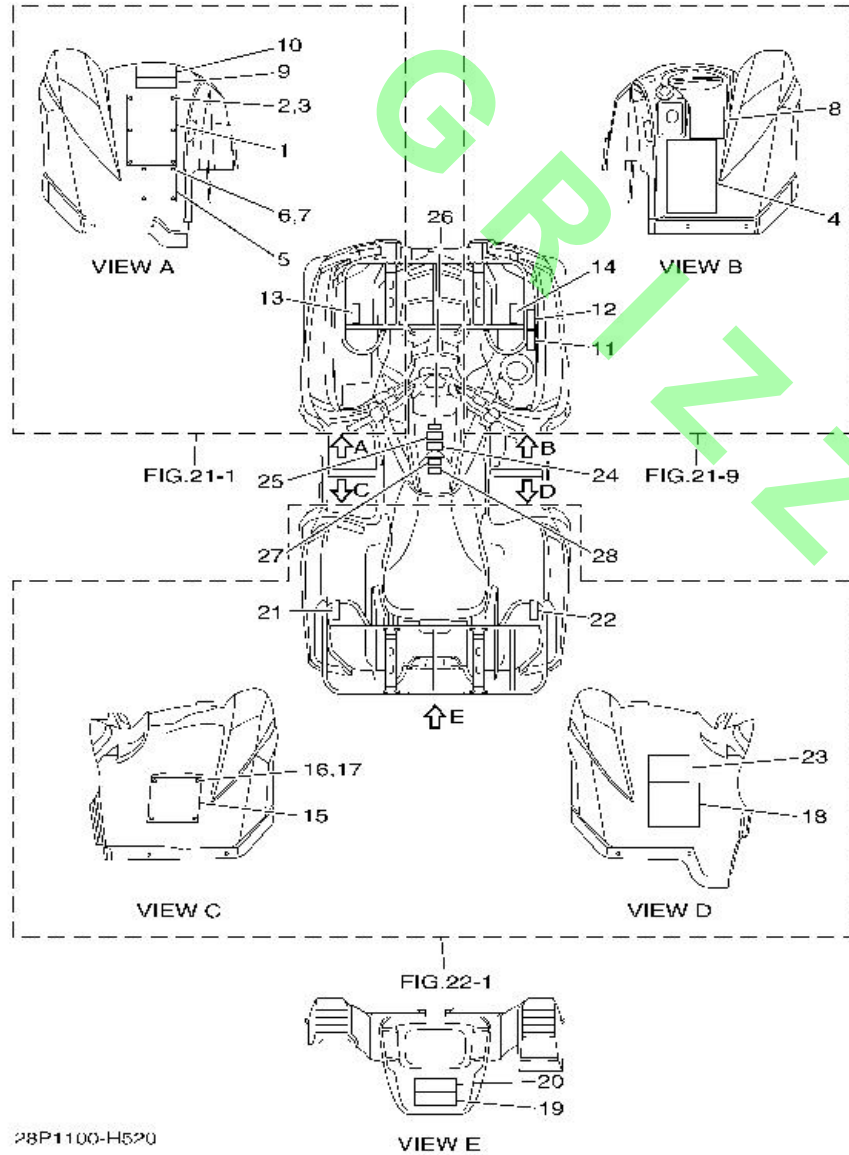
Ref. No.	Part No.	Description	Quantity	Remarks
	55 3B4-82576-00	LEAN ANGLE SENSOR	1	
	56 97002-05016	BOLT	2	
	57 92902-05600	WASHER, PLATE	2	
	58 90464-20237	CLAMP	2	
	59 90464-24230	CLAMP	1	
	60 90464-09013	CLAMP	2	
	61 90464-12045	CLAMP	3	
	62 90464-16039	CLAMP	1	
	63 90464-16012	CLAMP	1	
	64 5KM-86171-00	WIRE, LEAD 1	1	

Fig. 50 ELECTRICAL 2

Ref. No.	Part No.	Description		Remarks
	1 2EK-85111-00	REFLECTOR, FRONT 1	2	
	2 92902-05200	WASHER	2	
	3 90183-051A0	NUT, SPRING	2	
	4 449-85131-02	REFLECTOR, REAR 1	2	
	5 92902-05200	WASHER	2	
	6 3Y6-85130-02	REAR REFLECTOR ASSY	1	
	7 92902-05200	WASHER	1	
	8 95302-05600	NUT	1	



3B41100-F500

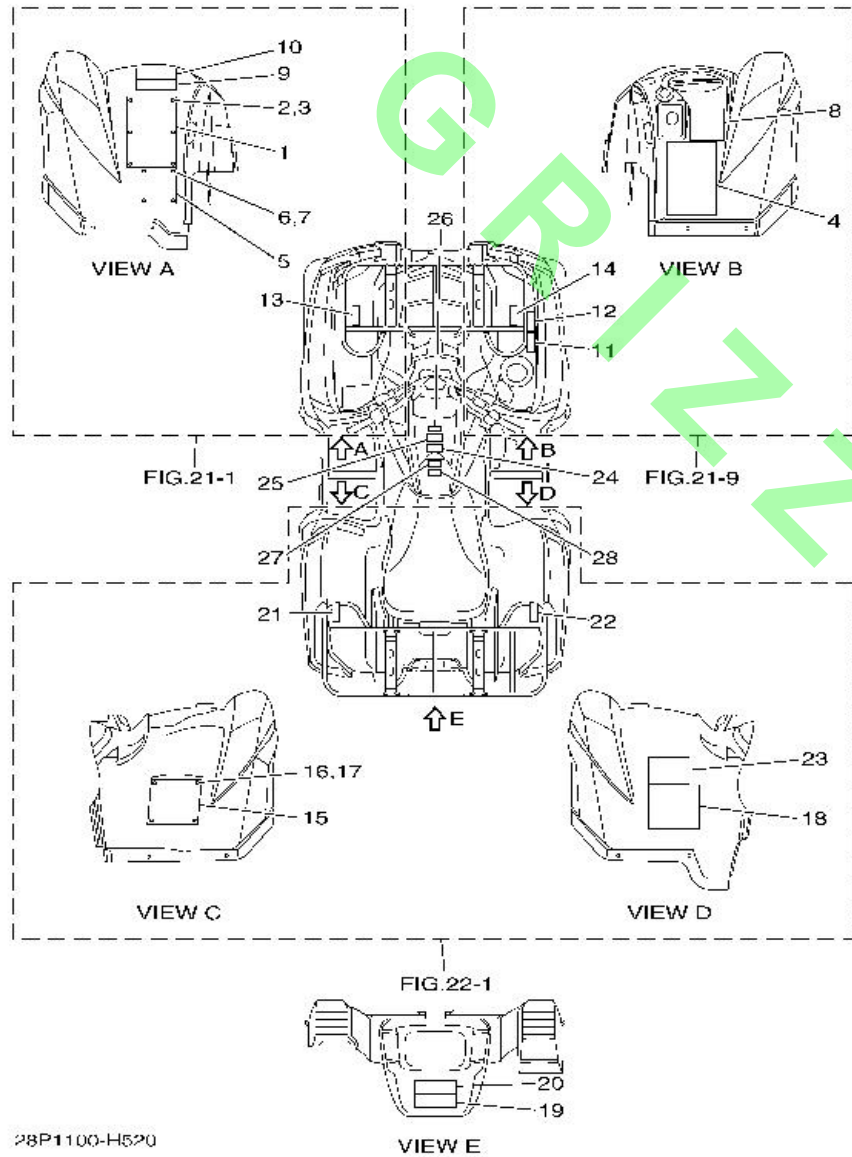


28P1100-H520

Fig. 52 EMBLEM & LABEL 1

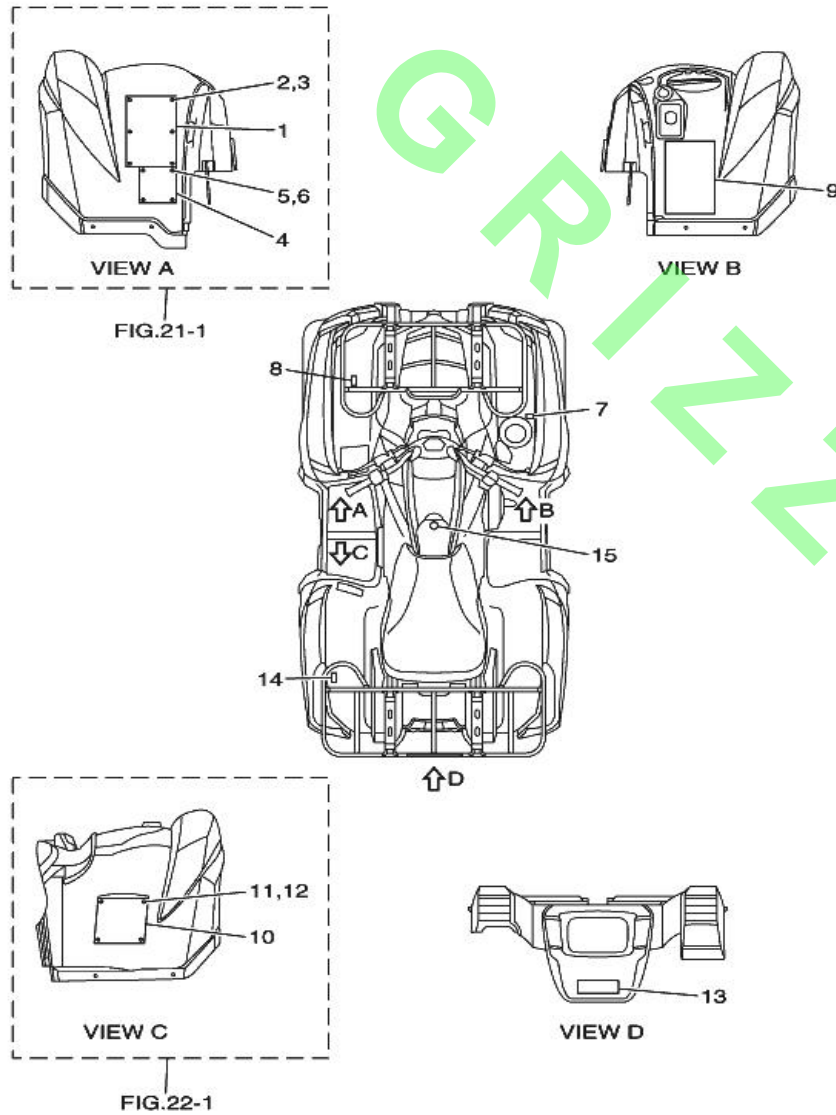
Ref. No.	Part No.	Description	Quantity	Remarks
1	5FE-21568-01	LABEL, WARNING	1	ENGLISH
2	90267-32004	RIVET, BLIND	6	
3	90201-03008	WASHER, PLATE	6	
4	4WU-21568-10	LABEL, WARNING	1	FRENCH
5	4D3-2816L-00	LABEL, WARNING AGE	1	ENGLISH
6	90267-32004	RIVET, BLIND	4	
7	90201-03008	WASHER, PLATE	4	
8	4D3-2816L-10	LABEL, WARNING AGE	1	FRENCH
9	5GH-2151E-00	LABEL 2	1	ENGLISH
10	5GH-2151E-10	LABEL 2	1	FRENCH
11	3B4-2151F-00	LABEL 3	1	ENGLISH
12	3B4-2151F-11	LABEL 3	1	
13	3B4-24875-00	LABEL 1	1	ENGLISH
14	3B4-24875-11	LABEL 1	1	
15	28P-2816M-00	LABEL, WARNING TIRE & LOAD	1	ENGLISH
16	90267-32004	RIVET, BLIND	4	
17	90201-03008	WASHER, PLATE	4	
18	28P-2816M-10	LABEL, WARNING TIRE & LOAD	1	
19	43P-2151K-00	LABEL 7	1	
20	43P-2151K-10	LABEL 7	1	
21	3B4-24875-20	LABEL 1	1	ENGLISH
22	3B4-24875-31	LABEL 1	1	
23	4WU-2151H-10	LABEL 5	1	FRENCH
24	5KM-21558-00	LABEL, WARNING 2	1	ENGLISH
25	5KM-21558-10	LABEL, WARNING 2	1	FRENCH
26	4SH-2416E-00	LABEL, CAUTION CANADA	1	ENGLISH
27	4D3-2817J-00	PLATE, ANSI SVIA	1	ENGLISH

Fig. 52 EMBLEM & LABEL 1



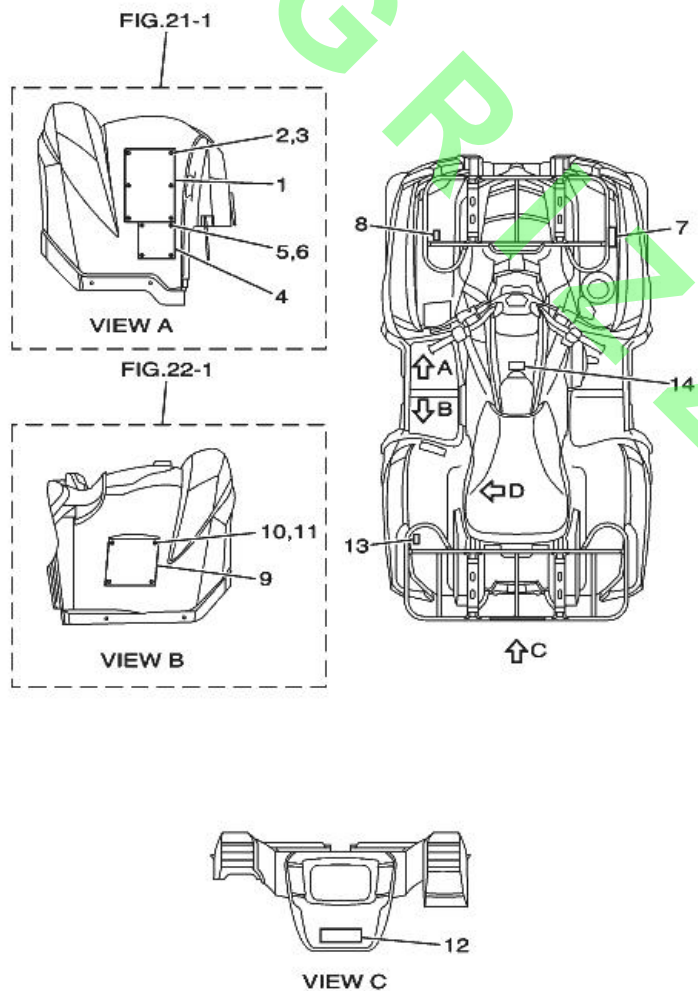
Ref. No.	Part No.	Description	Remarks
	28 4D3-2817J-10	PLATE, ANSI SVIA	1 FRENCH
<hr/>			
<hr/>			
<hr/>			
<hr/>			
<hr/>			
<hr/>			
<hr/>			
<hr/>			
<hr/>			

Fig. 53 EMBLEM & LABEL 2



28P1100-H530

Fig. 54 EMBLEM & LABEL 3



3B43300-F520

Fig. 55 EMBLEM & LABEL 4

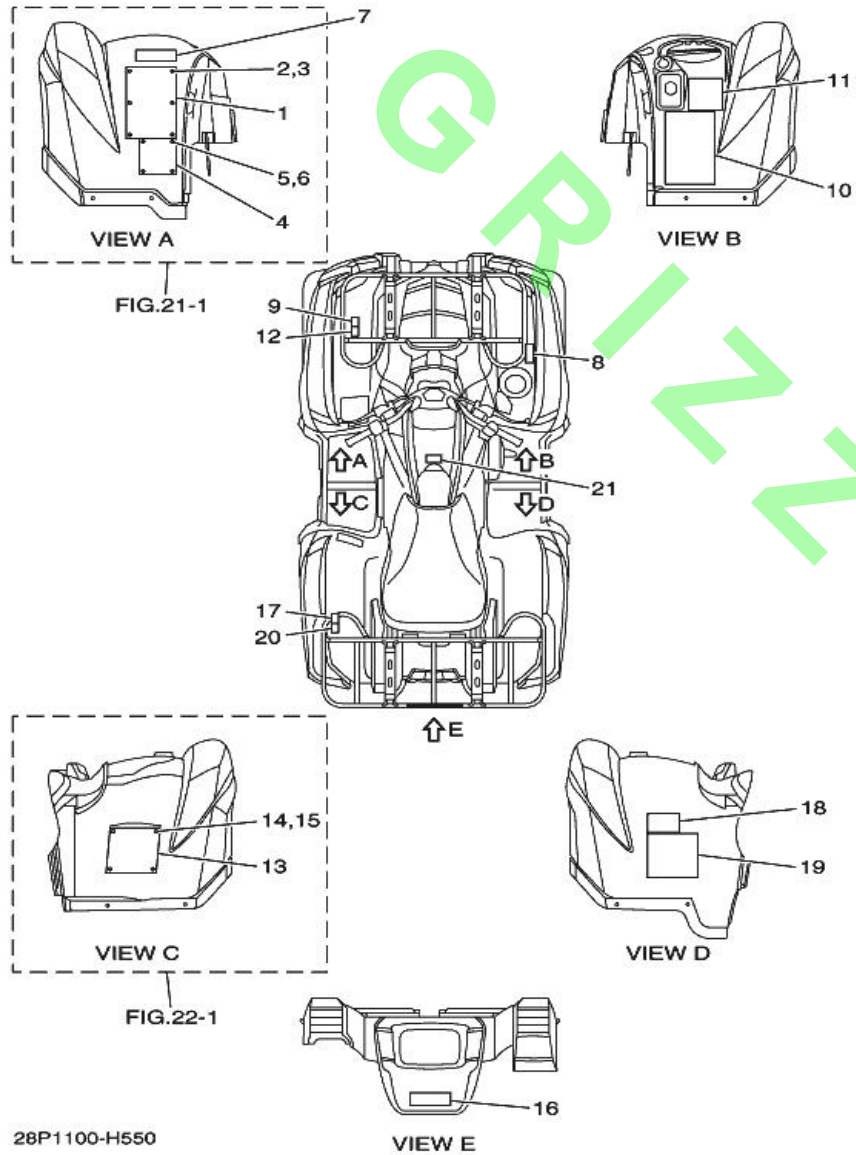
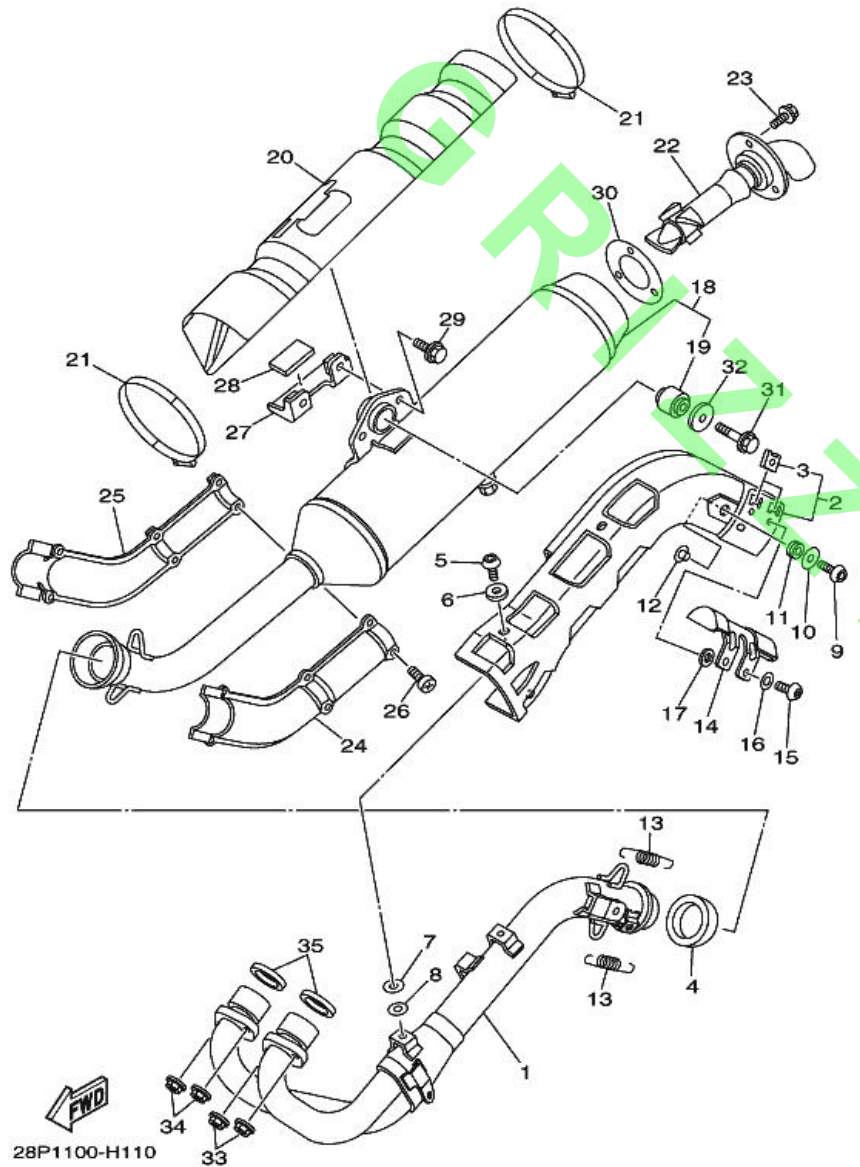
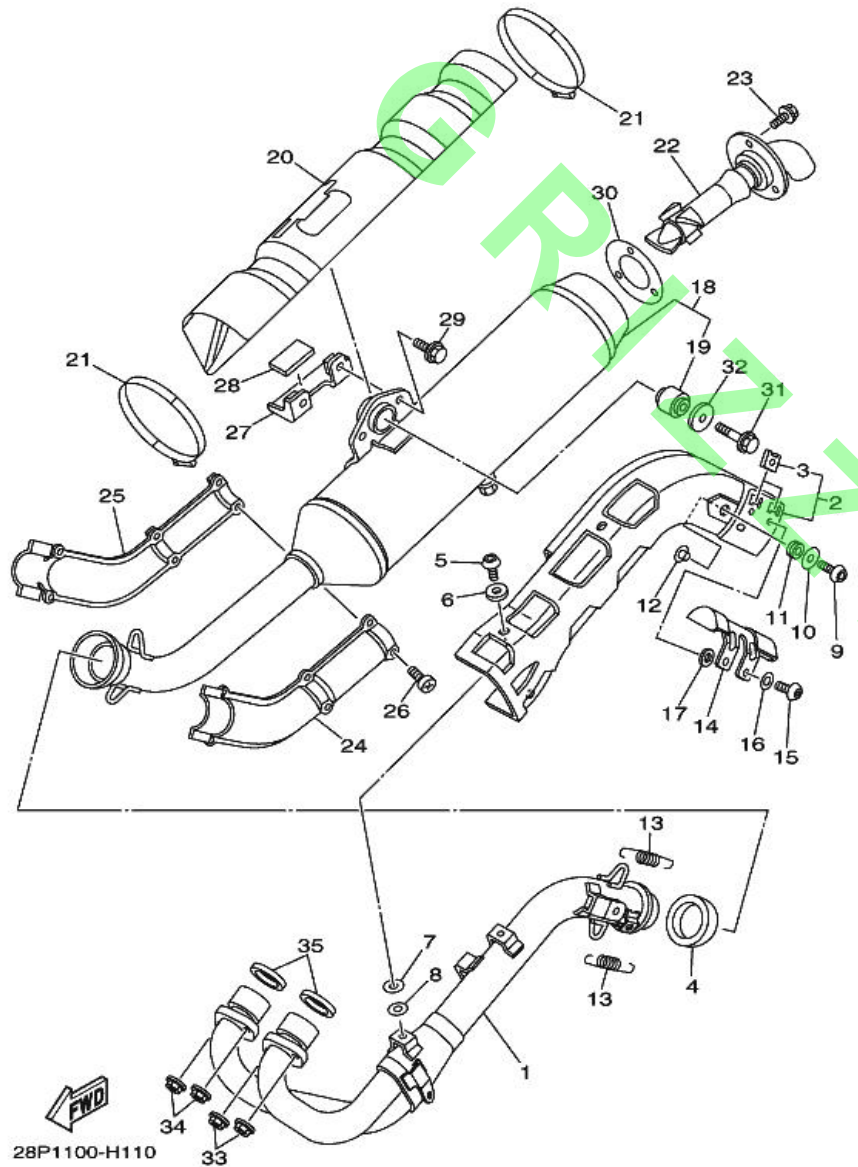


Fig. 11 EXHAUST



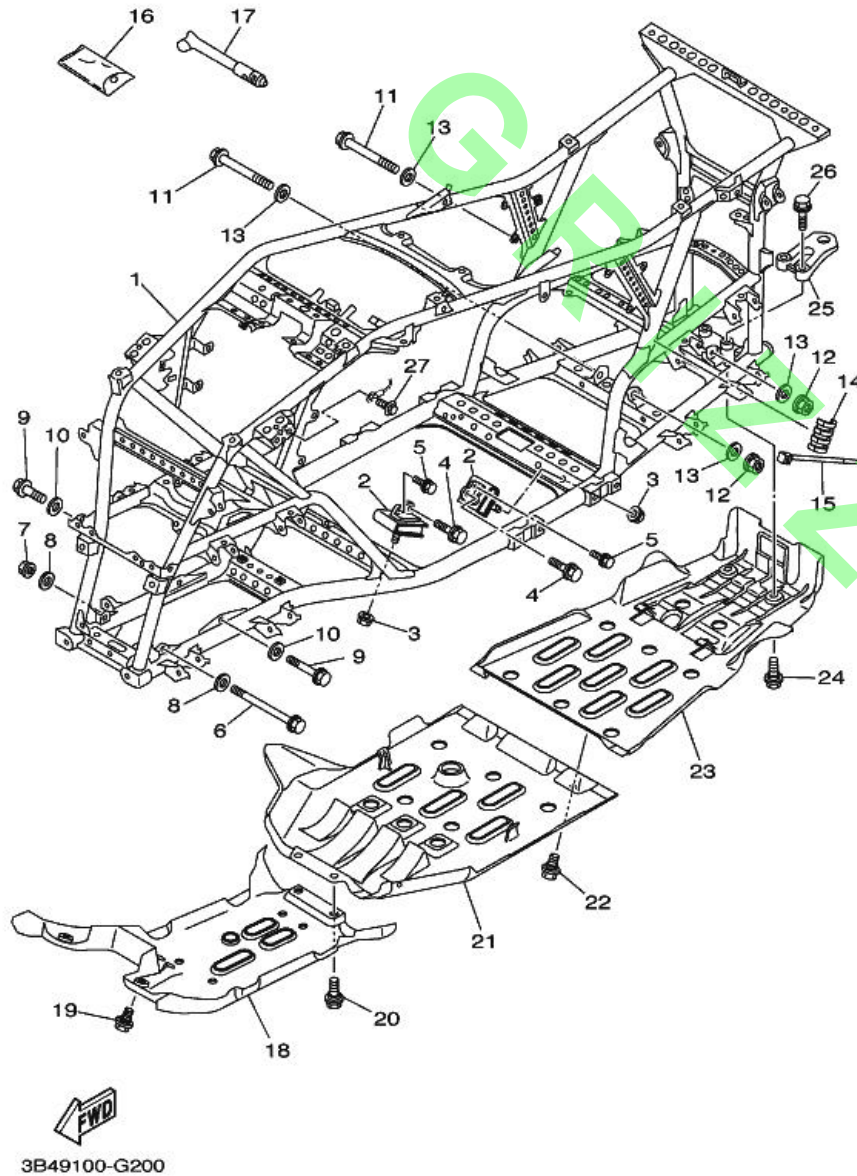
Ref. No.	Part No.	Description		Remarks
1	3B4-14611-10	PIPE, EXHAUST 1	1	
2	3B4-14627-10	COVER, EXHAUST	1	
3	90183-060A2	. NUT, SPRING	2	
4	3B4-14714-20	GASKET, MUFFLER	1	
5	92012-06014	BOLT, BUTTON HEAD	5	
6	90201-06076	WASHER, PLATE	5	
7	90201-06019	WASHER, PLATE	5	
8	90201-05019	WASHER, PLATE	5	
9	92012-06016	BOLT, BUTTON HEAD	1	
10	90201-06081	WASHER, PLATE	1	
11	90480-17001	GROMMET	1	
12	90387-08083	COLLAR	1	
13	90506-30006	SPRING, TENSION	2	
14	3B4-14758-01	PROTECTOR, SILENCER	1	
15	92012-06012	BOLT, BUTTON HEAD	2	
16	92902-06200	WASHER	2	
17	90201-05015	WASHER, PLATE	2	
18	3B4-W1471-10	MUFFLER COMP. 1	1	
19	5KM-27414-01	. DAMPER	1	
20	3B4-14718-10	PROTECTOR, MUFFLER 1	1	
21	90450-99010	HOSE CLAMP ASSY	3	
22	3B4-14752-00	PIPE, OUTLET	1	
23	95022-06008	BOLT, FLANGE	3	
24	3B4-1471C-00	PROTECTOR ASSY 1	1	
25	3B4-1472C-00	PROTECTOR ASSY., 2	1	
26	98502-06016	SCREW, PAN HEAD	6	
27	3B4-1477U-00	STOPPER 1	1	

Fig. 11 EXHAUST



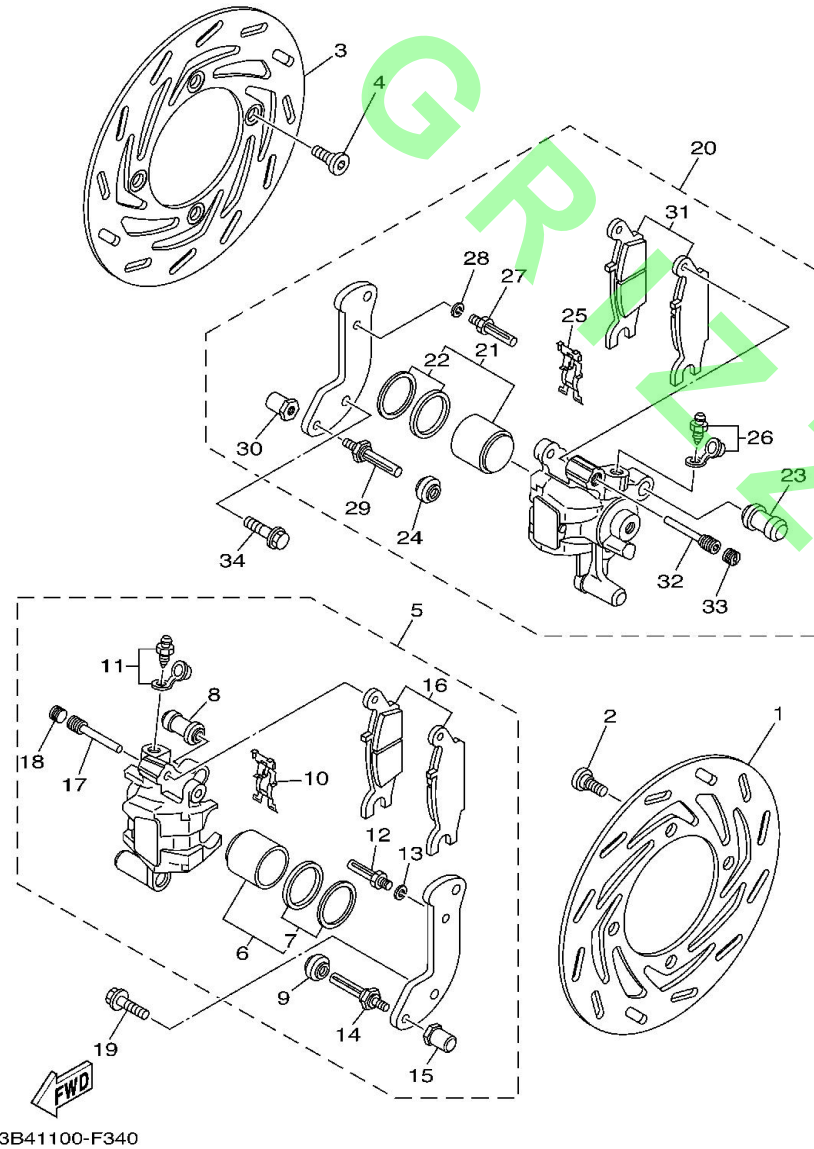
Ref. No.	Part No.	Description		Remarks
	28 3B4-14733-00	MAT 1	1	
	29 95822-08012	BOLT, FLANGE	2	
	30 3B4-14755-00	GASKET, SILENCER	1	
	31 95812-08040	BOLT, FLANGE	1	
	32 3B4-14759-00	WASHER	1	
<hr/>				
	33 90179-08029	NUT	2	
	34 95702-08500	NUT, WITH WASHER	2	
	35 3YF-14613-01	GASKET, EXHAUST PIPE	2	
<hr/>				
<hr/>				
<hr/>				
<hr/>				
<hr/>				
<hr/>				
<hr/>				

Fig. 20 FRAME



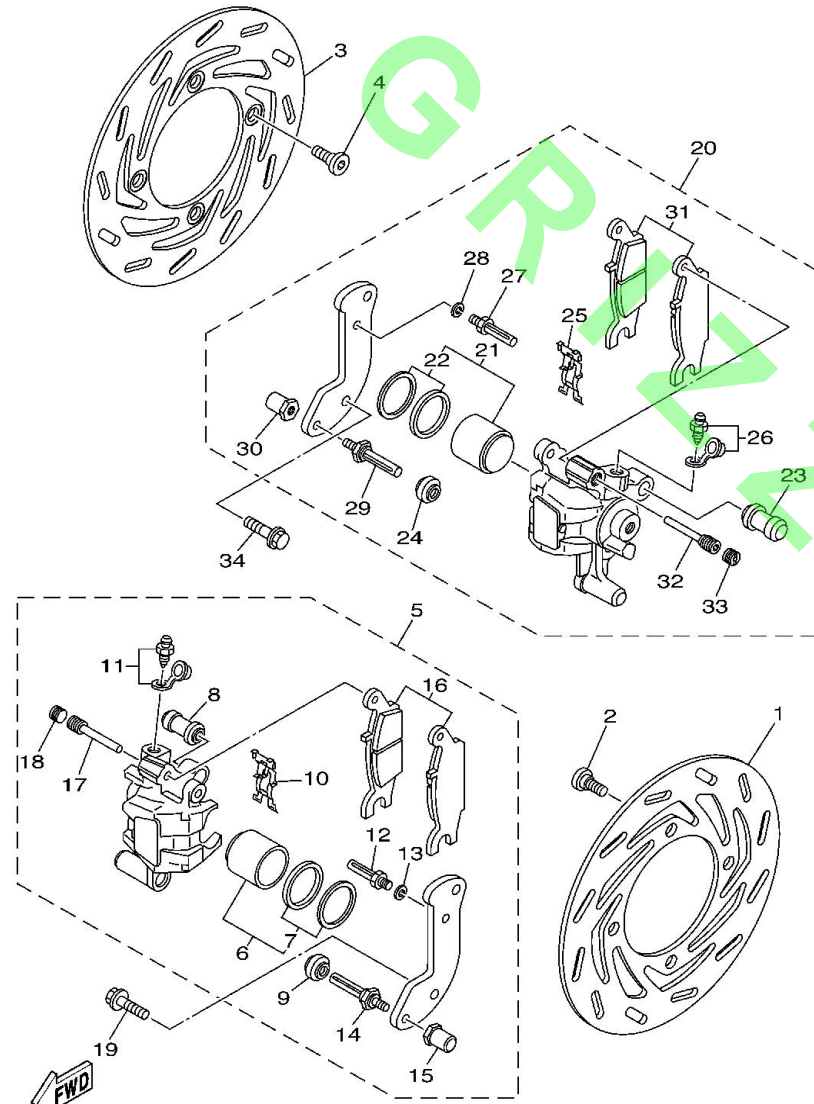
Ref. No.	Part No.	Description		Remarks
1	3B4-21110-20	FRAME COMP.	1	
2	3B4-21485-00	DAMPER, RUBBER 1	4	
3	95602-10200	NUT, U FLANGE	4	
4	95812-10035	BOLT, FLANGE	4	
5	90105-06639	BOLT, FLANGE	4	
6	90105-10219	BOLT, FLANGE	1	
7	90185-10011	NUT, SELF-LOCKING	1	
8	90201-10035	WASHER, PLATE	2	
9	90105-10237	BOLT, FLANGE	2	
10	90201-10035	WASHER, PLATE	2	
11	90105-10238	BOLT, FLANGE	2	
12	90185-10011	NUT, SELF-LOCKING	2	
13	90201-10035	WASHER, PLATE	4	
14	3B4-2113B-01	DAMPER	1	
15	90464-35132	CLAMP	1	
16	28P-28100-00	TOOL KIT	1	
17	1NV-2811A-01	GAUGE, AIR	1	
18	3B4-2147A-00	GUARD, ENGINE 1	1	
19	90109-06202	BOLT	2	
20	90109-06214	BOLT	2	
21	3B4-2147E-00	GUARD, ENGINE 2	1	
22	90109-06214	BOLT	2	
23	3B4-2147F-00	GUARD, ENGINE 3	1	
24	90109-06202	BOLT	2	
25	3B4-28488-00	HOOK	1	
26	95812-10035	BOLT, FLANGE	2	
27	95802-06012	BOLT, FLANGE	1	

Fig. 34 FRONT BRAKE CALIPER



Ref. No.	Part No.	Description		Remarks
1	3B4-2582T-01	DISC, BRAKE (LEFT)	1	
2	90109-08101	BOLT	4	
3	3B4-2582T-01	DISC, BRAKE (LEFT)	1	
4	90109-08101	BOLT	4	
5	3B4-2580T-01	CALIPER ASSY (LEFT)	1	
6	3B4-W0057-00	. PISTON ASSY, CALIPER	1	
7	3B4-W0047-00	. . CALIPER SEAL KIT	1	
8	1UY-25937-51	. BOOT 2	1	
9	3JD-25917-00	. BOOT, CALIPER	1	
10	5DH-25919-00	. SUPPORT, PAD	1	
11	1UY-W0048-50	. BLEED SCREW KIT	1	
12	1UY-25926-51	. BOLT	1	
13	1UY-25938-51	. WASHER, SPRING	1	
14	3JD-25926-00	. BOLT	1	
15	3JD-25961-00	. NUT	1	
16	3B4-W0045-00	. BRAKE PAD KIT	1	
17	5DH-25933-00	. PIN, PAD	1	
18	8CR-25926-00	. BOLT	1	
19	90105-08161	BOLT, FLANGE	2	
20	3B4-2580U-01	CALIPER ASSY (RIGHT)	1	
21	3B4-W0057-00	. PISTON ASSY, CALIPER	1	
22	3B4-W0047-00	. . CALIPER SEAL KIT	1	
23	1UY-25937-51	. BOOT 2	1	
24	3JD-25917-00	. BOOT, CALIPER	1	
25	5DH-25919-00	. SUPPORT, PAD	1	
26	1UY-W0048-50	. BLEED SCREW KIT	1	
27	1UY-25926-51	. BOLT	1	

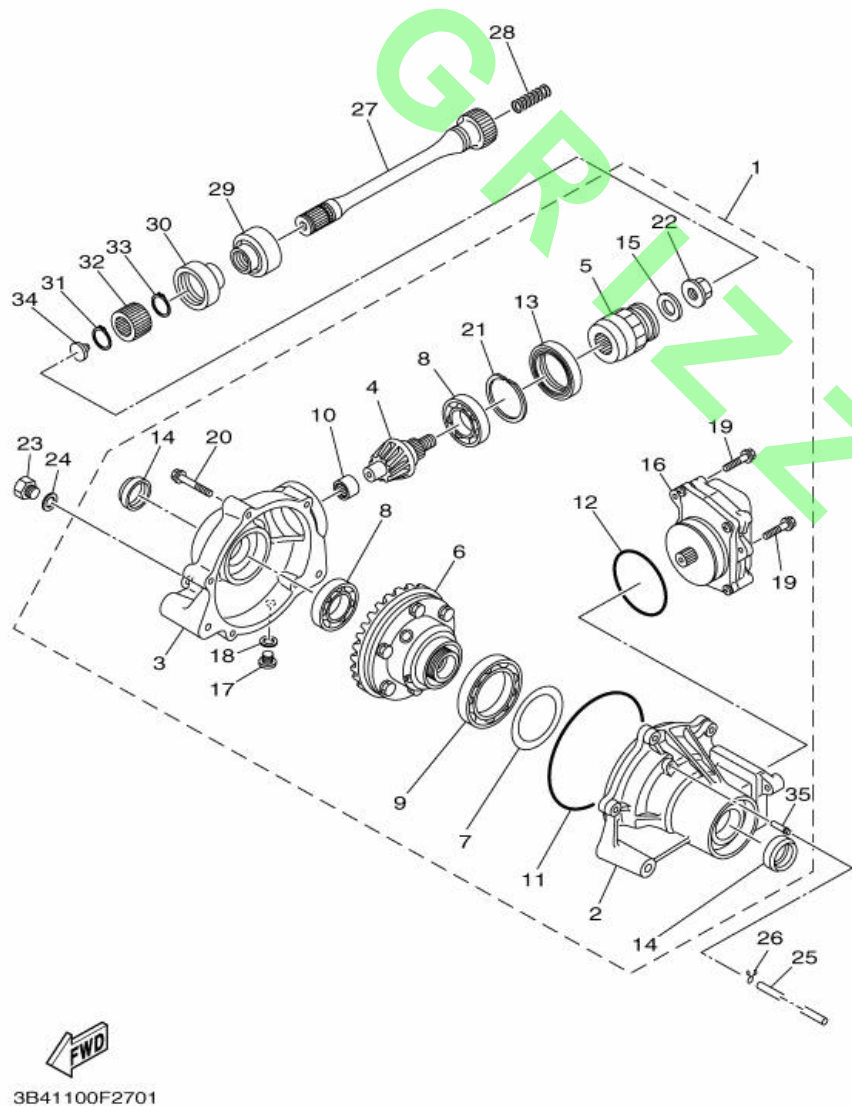
Fig. 34 FRONT BRAKE CALIPER



3B41100-F340

Ref. No.	Part No.	Description		Remarks
	28 1UY-25938-51	. WASHER, SPRING	1	
	29 3JD-25926-00	. BOLT	1	
	30 3JD-25961-00	. NUT	1	
	31 3B4-W0045-10	. BRAKE PAD KIT	1	
	32 5DH-25933-00	. PIN, PAD	1	
	33 8CR-25926-00	. BOLT	1	
	34 90105-08161	BOLT, FLANGE	2	

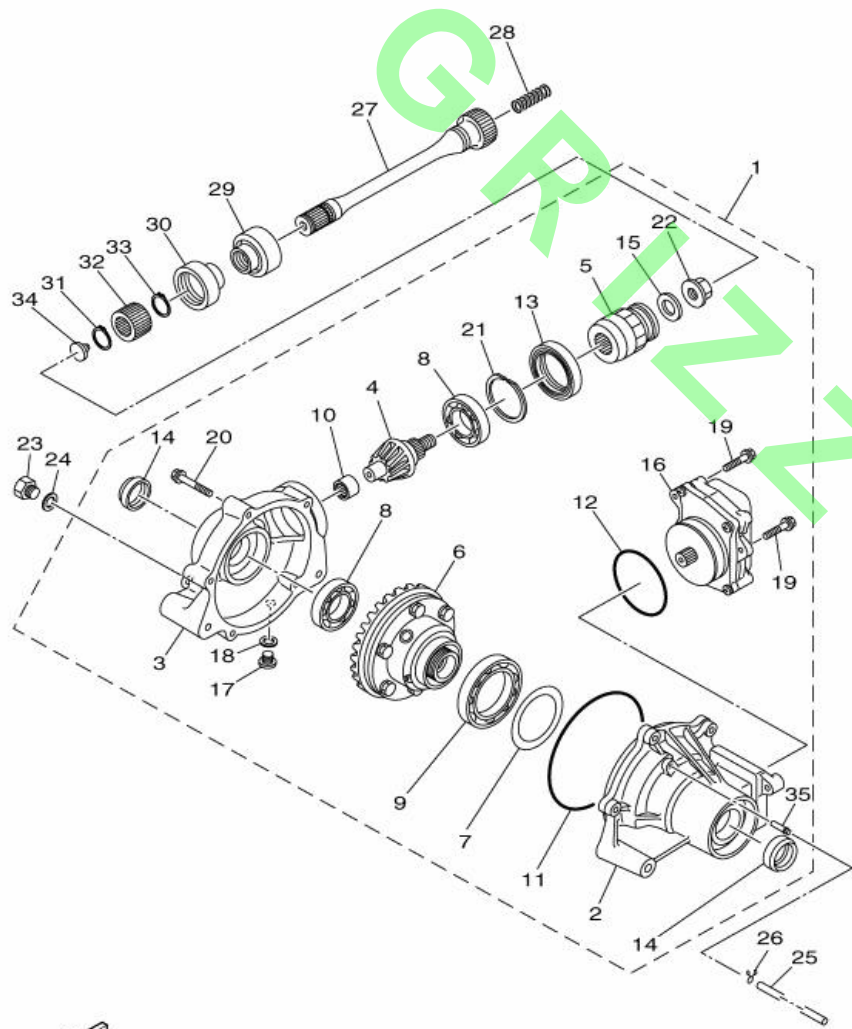
Fig. 27 FRONT DIFFERENTIAL



3B41100F2701

Ref. No.	Part No.	Description		Remarks
	1 3B4-46160-10	FRONT AXLE GEAR CASE COMP.	1	
	2 3B4-46162-00	. HOUSING, BEARING 2	1	
	3 3B4-46161-00	. HOUSING, SHAFT DRIVE 2	1	
	4 3B4-46141-00	. PINION, DRIVE 2	1	
	5 3B4-67839-10	. CUPLING	1	
	6 3B4-46470-01	. LIMITED SLIP DIFF. ASSY	1	
	7 3B4-46117-00	. SHIM, RING GEAR (0.1T)	1	UR
	3B4-46117-10	. SHIM, RING GEAR (0.2T)	1	UR
	3B4-46117-20	. SHIM, RING GEAR (0.3T)	1	UR
	3B4-46117-30	. SHIM, RING GEAR (0.4T)	1	UR
	8 93306-00613	. BEARING	2	
	9 3B4-46164-00	. BEARING 1	1	
	10 3B4-46166-00	. BEARING 3	1	
	11 3B4-46134-00	. O-RING 1	1	
	12 3B4-46135-00	. O-RING 2	1	
	13 93105-46001	. OIL SEAL	1	
	14 3B4-46163-00	. SEAL, OIL 1	2	
	15 3B4-47359-00	. WASHER	1	
	16 3B4-4616A-00	. SERVO MOTOR COMP	1	
	17 90340-10001	. PLUG, STRAIGHT SCREW	1	
	18 90430-10003	. GASKET	1	
	19 95812-06014	. BOLT, FLANGE	3	
	20 95812-08040	. BOLT, FLANGE	5	
	21 3B4-46142-00	. RING,HOLE SNAP 1	1	
	22 4WV-46145-10	. NUT 1	1	
	23 90340-14029	PLUG, STRAIGHT SCREW	1	
	24 214-11198-01	GASKET	1	

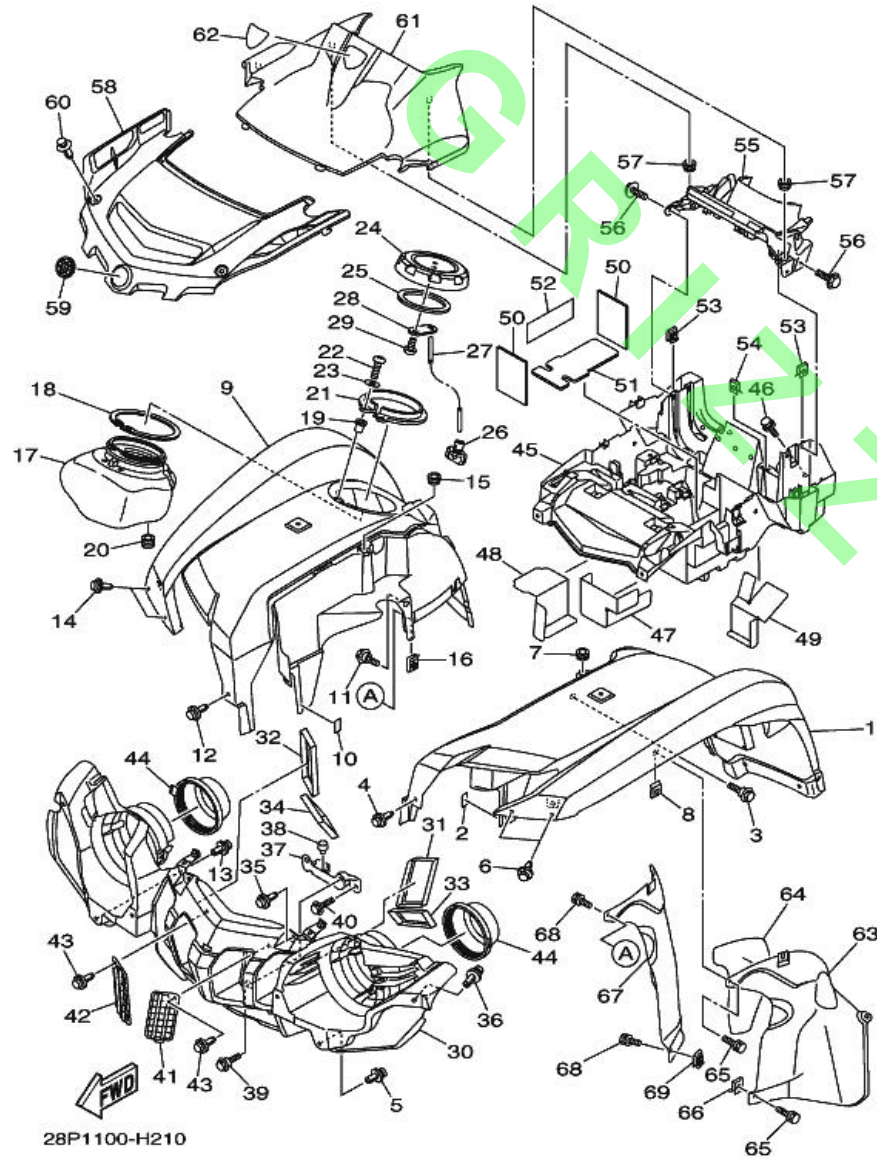
Fig. 27 FRONT DIFFERENTIAL



3B41100F2701

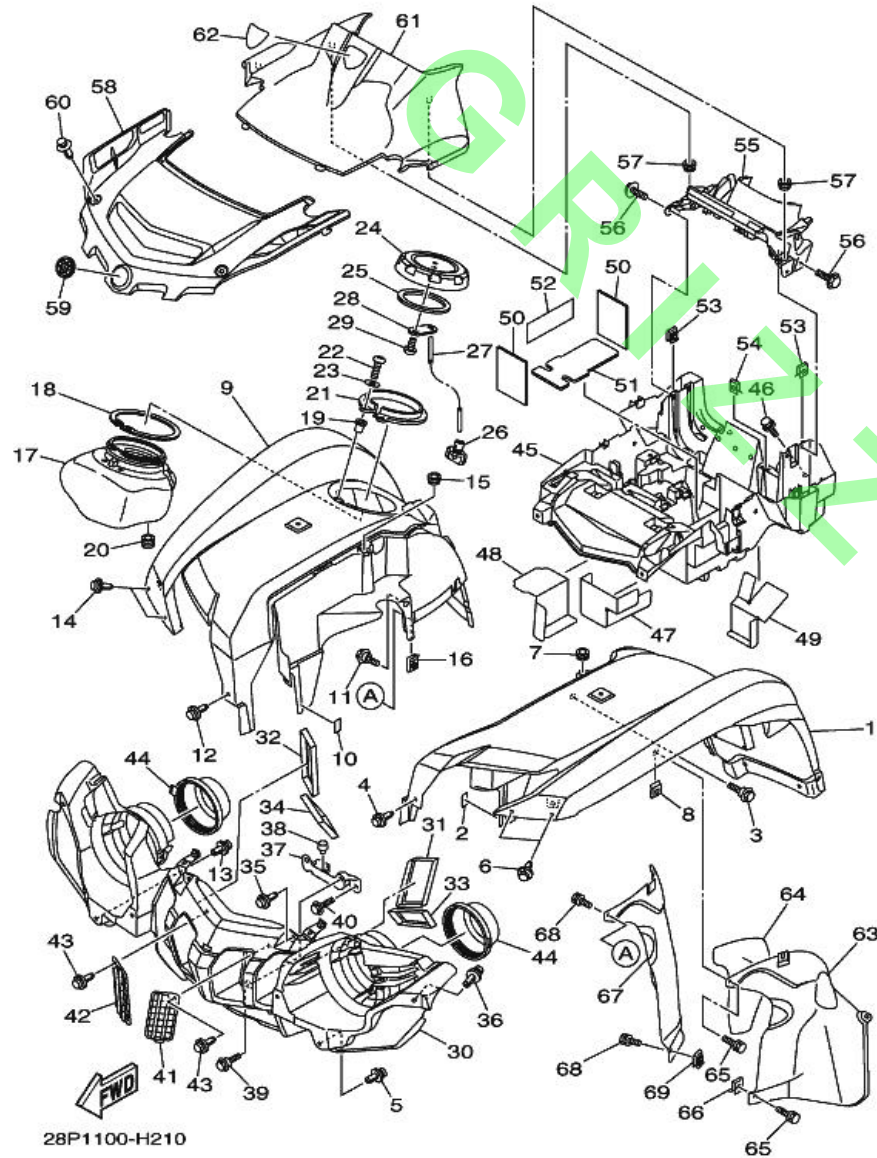
Ref. No.	Part No.	Description		Remarks
	25 90445-070F1	HOSE (L950)	1	
	26 90467-07029	CLIP	1	
	27 3B4-46173-10	SHAFT, DRIVE 2	1	
	28 90501-18002	SPRING, COMPRESSION	1	
	29 5KM-46137-00	SEAL 2	1	
	30 5KM-46136-00	SEAL 1	1	
	31 99009-19400	CIRCLIP	1	
	32 5KM-46126-00	COUPLING	1	
	33 93410-22039	CIRCLIP	1	
	34 5KM-46559-00	DAMPER	1	
	35 5GH-46293-00	. TUBE	1	

Fig. 21 FRONT FENDER



Ref. No.	Part No.	Description	Quantity	Remarks
1	3B4-W215C-01	FRONT FENDER COMP.2	1	UR FOR PDG
2	3B4-21541-00	DAMPER 1	1	
3	90109-06172	BOLT	1	
4	90269-07012	RIVET	1	
5	90269-07012	RIVET	1	
6	90269-07012	RIVET	2	
7	90480-13398	GROMMET	1	
8	90183-06053	NUT, SPRING	1	
9	3B4-W215D-01	FRONT FENDER COMP. 2	1	UR FOR PDG
10	3B4-21541-00	DAMPER 1	1	
11	90109-06172	BOLT	1	
12	90269-07012	RIVET	1	
13	90269-07012	RIVET	1	
14	90269-07012	RIVET	2	
15	90480-13398	GROMMET	1	
16	90183-06053	NUT, SPRING	1	
17	3B4-2838K-00	BOX 1	1	
18	3B4-2838M-00	SEAL, BOX 1	1	
19	90179-05523	NUT	2	
20	90480-13004	GROMMET	1	
21	3B4-2839N-00	HOLDER	1	
22	98502-05016	SCREW, PAN HEAD	2	
23	92902-05600	WASHER, PLATE	2	
24	3B4-2151B-00	CAP	1	
25	3B4-28307-00	SEAL	1	
26	3B4-215A1-00	PLUG, DRAIN	1	
27	3B4-2845L-00	STOPPER, OPEN	1	

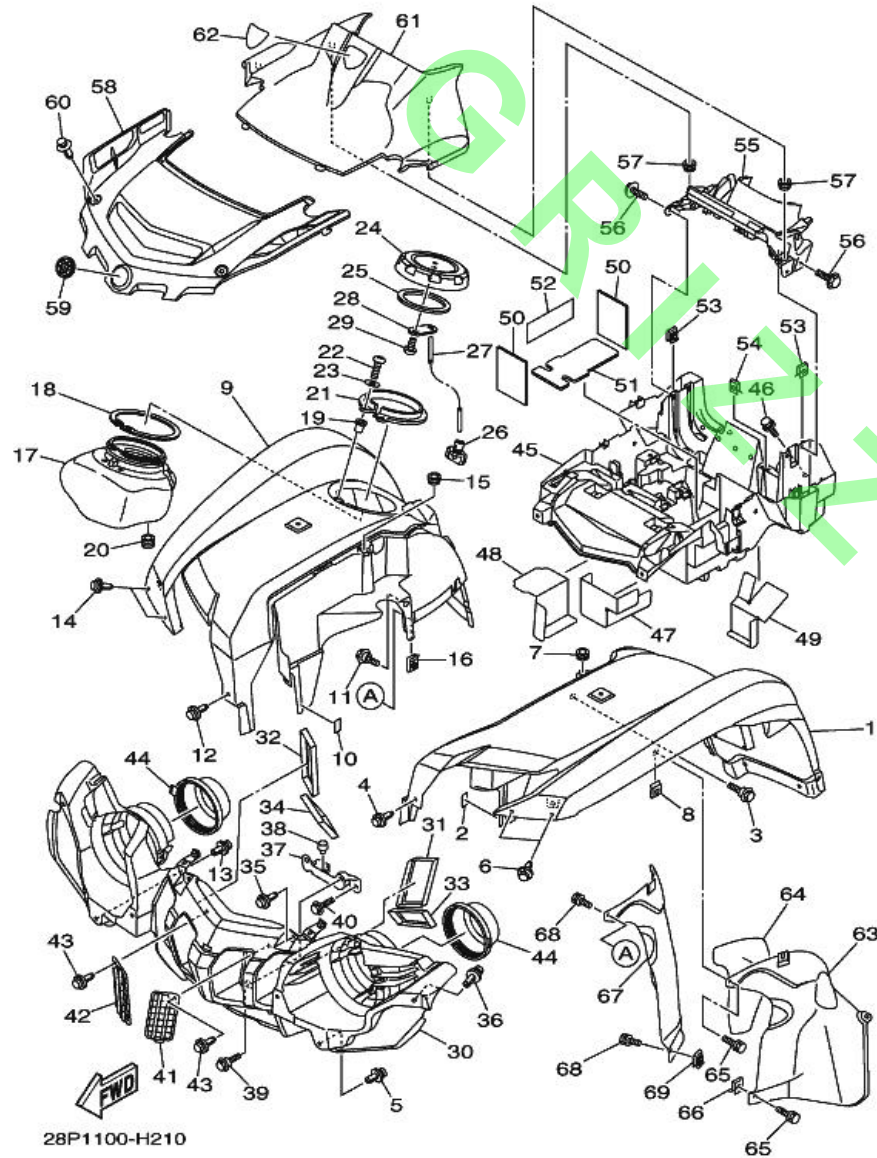
Fig. 21 FRONT FENDER



28P1100-H210

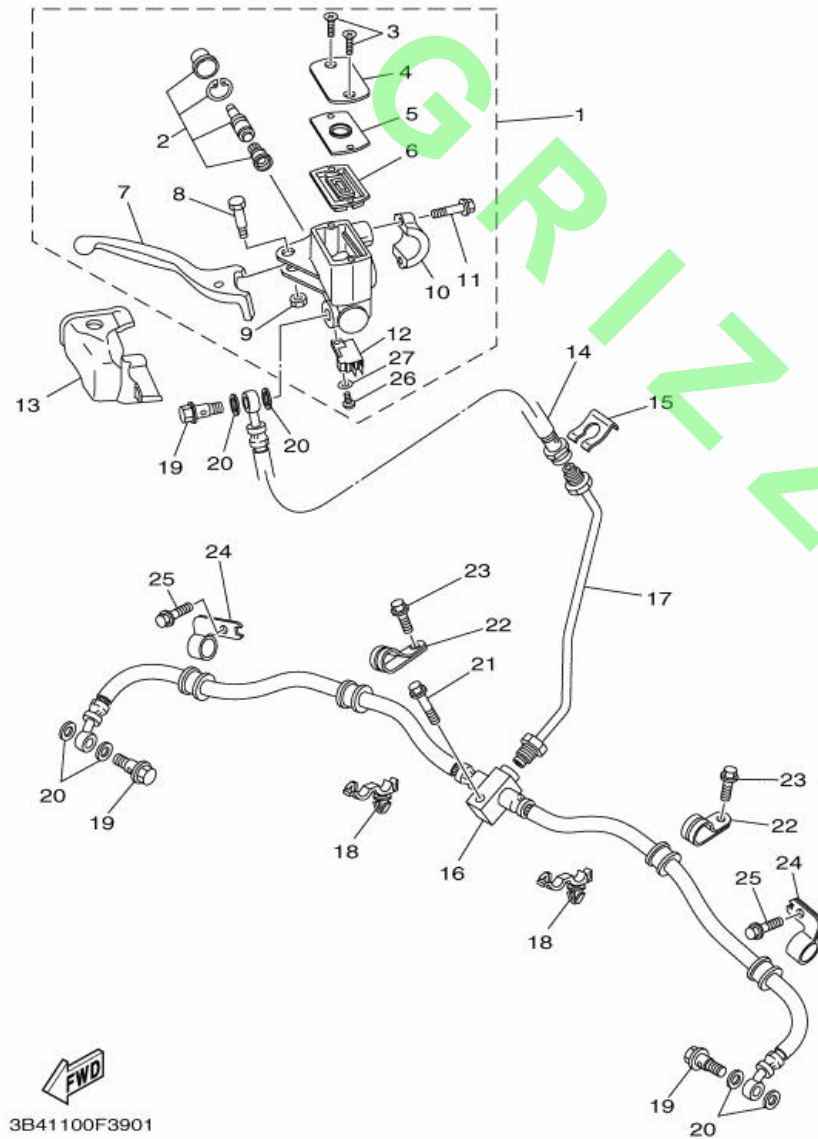
Ref. No.	Part No.	Description		Remarks
	28 3B4-28487-00	PLATE 2	1	
	29 97702-50512	SCREW, TAPPING	1	
	30 3B4-28309-00	GRILLE, FRONT	1	
	31 3B4-28217-00	DAMPER 1	1	
	32 3B4-28227-00	DAMPER 2	1	
	33 3B4-28237-00	DAMPER 3	1	
	34 3B4-28247-00	DAMPER 4	1	
	35 90269-07010	RIVET	2	
	36 90269-07012	RIVET	2	
	37 3B4-28332-00	STAY, LEG SHIELD	1	
	38 5RU-24768-00	STOPPER	2	
	39 90109-06172	BOLT	2	
	40 95802-06012	BOLT, FLANGE	2	
	41 3B4-2837N-00	GRILL, AIR INTAKE 1	1	
	42 3B4-2837R-00	GRILL, AIR INTAKE 2	1	
	43 90269-07077	RIVET	2	
	44 3B4-28349-00	CAP	2	
	45 28P-8212B-00	BOX, BATTERY 1	1	
	46 90119-06152	BOLT, WITH WASHER	3	
	47 28P-8253E-00	INSULATOR 1	1	
	48 28P-8253F-00	INSULATOR 2	1	
	49 28P-8254E-00	INSULATOR	1	
	50 3B4-8233W-10	INSU.	2	
	51 3B4-82122-00	SEAT, BATTERY	1	
	52 34D-82176-00	DAMPER	1	
	53 90183-06053	NUT, SPRING	7	
	54 90183-05008	NUT, SPRING	2	

Fig. 21 FRONT FENDER



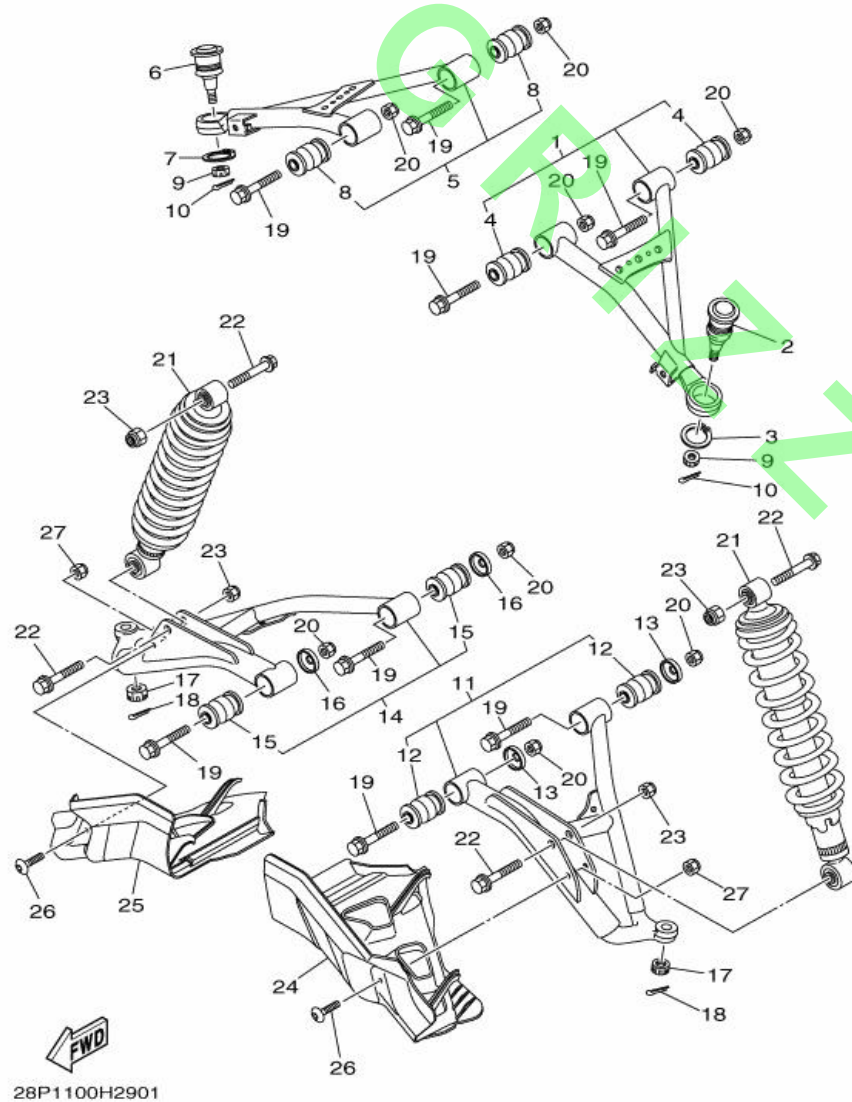
Ref. No.	Part No.	Description		Remarks
	55 3B4-2837L-00	PANEL, CONSOLE 1	1	
	56 90119-06152	BOLT, WITH WASHER	4	
	57 90480-13567	GROMMET	2	
	58 3B4-23391-00	PANEL, FRONT	1	
	59 5KM-2175B-00	TUNING FORK MARK	1	
<hr/>				
	60 90269-07010	RIVET	2	
	61 3B4-28313-00	LID	1	
	62 3B4-26232-01	EMBLEM 3D	1	
	63 3B4-21552-00	FENDER, INNER	1	
	64 3B4-21575-10	SEAL 1	1	
<hr/>				
	65 90119-06152	BOLT, WITH WASHER	2	
	66 90183-06053	NUT, SPRING	1	
	67 3B4-21553-00	FENDER, INNER 2	1	
	68 90119-06152	BOLT, WITH WASHER	3	
	69 90183-06053	NUT, SPRING	2	
<hr/>				
<hr/>				
<hr/>				

Fig. 39 FRONT MASTER CYLINDER



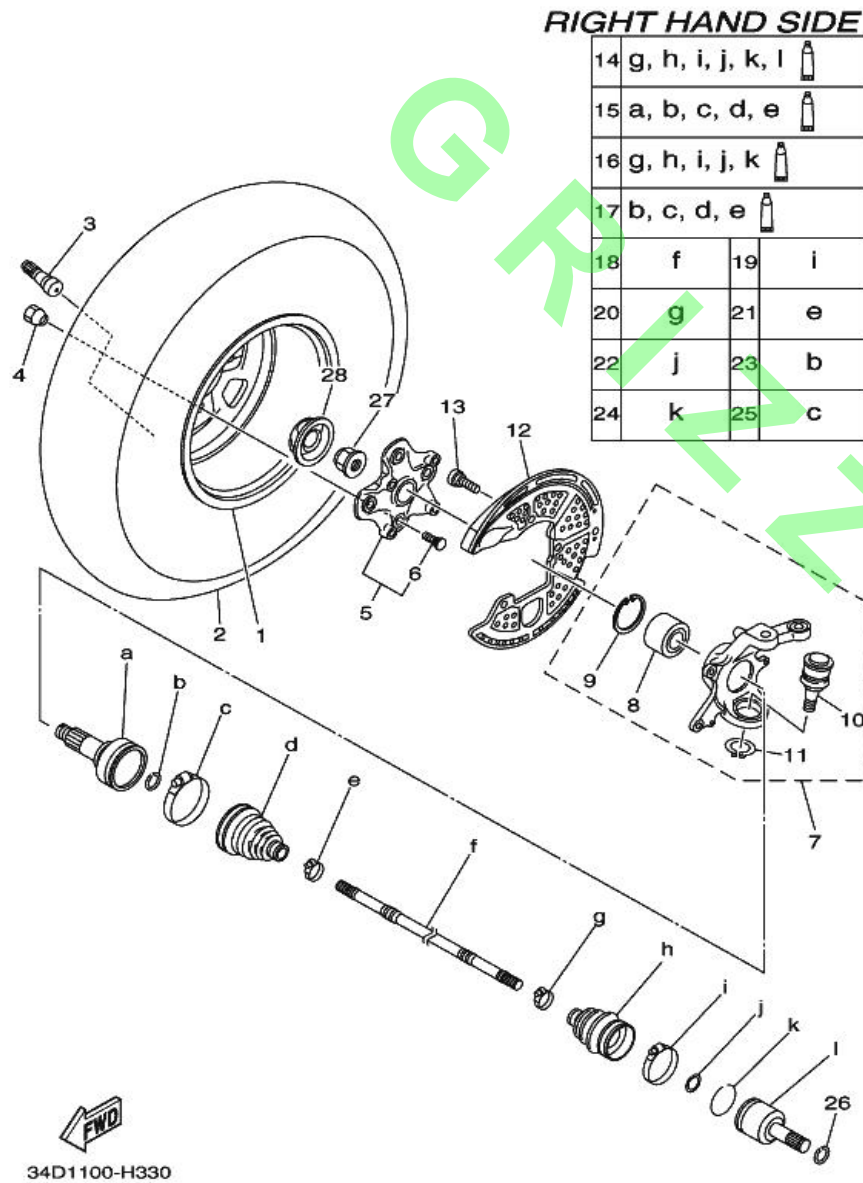
Ref. No.	Part No.	Description		Remarks
1	3B4-2583T-00	MASTER CYLINDER ASSY	1	
2	5D3-W0041-00	. CYLINDER KIT, MASTER	1	
3	98706-04012	. SCREW, FLAT HEAD	2	
4	3GM-25852-22	. CAP, RESERVOIR	1	
5	3B4-2585B-00	. PLATE, DIAPHRAGM	1	
6	4TT-25854-00	. GASKET, DIAPHRAGM	1	
7	3B4-83922-00	. LEVER 2	1	
8	3B4-2589F-00	. BOLT, LEVER	1	
9	95604-06100	. NUT, U	1	
10	56A-25867-00	. HOLDER	1	
11	5EB-26332-00	. BOLT	2	
12	4HM-83980-00	. FRONT STOP SWITCH ASSY	1	
13	3B4-2637A-01	COVER, HANDLE LEVER 2	1	
14	3B4-25872-10	HOSE, BRAKE 1	1	
15	2GU-25866-00	CIRCLIP	1	
16	3B4-25873-10	HOSE, BRAKE 2	1	
17	3B4-25871-10	PIPE, BRAKE	1	
18	90464-20010	CLAMP	2	
19	90401-10015	BOLT, UNION	3	
20	90201-10118	WASHER, PLATE	6	
21	95822-06025	BOLT, FLANGE	1	
22	3B4-25886-00	HOLDER, BRAKE HOSE	2	
23	95802-06012	BOLT, FLANGE	2	
24	3B4-25876-10	HOLDER, BRAKE HOSE 2	2	
25	95802-06012	BOLT, FLANGE	2	
26	98502-04012	. SCREW, PAN HEAD	1	
27	92902-04600	. WASHER, PLATE	1	

Fig. 29 FRONT SUSPENSION & WHEEL



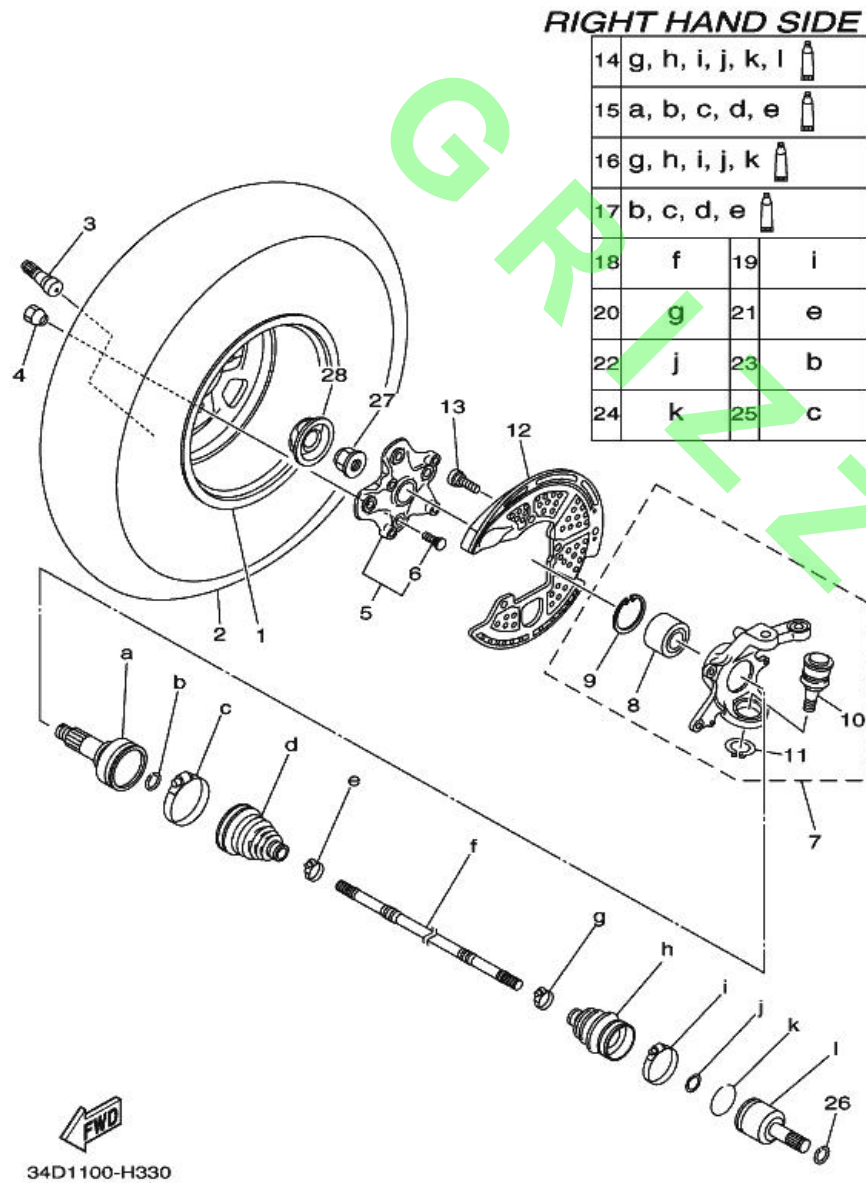
Ref. No.	Part No.	Description		Remarks
1	1HP-F3540-00	FRONT UPPER ARM COMP. (LEFT)	1	
2	5LP-23579-00	. BALL JOINT 2	1	
3	99009-30400	. CIRCLIP	1	
4	5KM-23526-10	. BUSH	2	
5	1HP-F3550-00	FRONT UPPER ARM COMP. (RIGHT)	1	
<hr/>				
6	5LP-23579-00	. BALL JOINT 2	1	
7	99009-30400	. CIRCLIP	1	
8	5KM-23526-10	. BUSH	2	
9	90171-10001	NUT, CASTLE	2	
10	91401-20020	PIN, COTTER	2	
<hr/>				
11	3B4-23570-00	FRONT LOWER ARM COMP. (LEFT)	1	
12	5KM-23526-10	. BUSH	2	
13	5KM-22149-10	WASHER	2	
14	3B4-23580-00	FRONT LOWER ARM COMP. (RIGHT)	1	
15	5KM-23526-10	. BUSH	2	
<hr/>				
16	5KM-22149-10	WASHER	2	
17	90171-12001	NUT, CASTLE	2	
18	91490-25020	PIN, COTTER	2	
19	90105-10222	BOLT, FLANGE	8	
20	90185-10012	NUT, SELF-LOCKING	8	
<hr/>				
21	3B4-23350-01	SHOCK ABSORBER ASSY	2	
22	90105-10131	BOLT, FLANGE	4	
23	90185-10012	NUT, SELF-LOCKING	4	
24	28P-23123-00	COVER, UNDER 1	1	
25	28P-23133-00	COVER, LOWER 2	1	
<hr/>				
26	90110-06200	BOLT, HEXAGON SOCKET HEAD	2	
27	95702-06300	NUT, NYLON	2	

Fig. 33 FRONT WHEEL 2



Ref. No.	Part No.	Description	Remarks
1	3B4-25180-00	WHEEL COMP.	1 UR PDG,RTR,DPBSN
2	94108-12012	TIRE (AT25X8-12** KT421 T/L N)	1 DUNLOP
3	93900-00030	VALVE, RIM (TR412)	1 TAIHEIYO
4	90179-10020	NUT	4
5	3B4-25111-10	HUB, FRONT	1
6	90114-10014	. BOLT, SERRATION	4
7	3B4-23502-01	STEERING KNUCKLE ASSY (RIGHT)	1
8	93305-00602	. BEARING	1
9	99009-55500	. CIRCLIP	1
10	3B4-23579-01	. BALL JOINT 2	1
11	99009-30400	. CIRCLIP	1
12	3B4-2515A-00	RING, WHEEL 2	1
13	90154-06014	SCREW, BINDING	3
14	28P-2510J-00	DOUBLE OFF SET JOINT	1
15	28P-2510F-00	BALL JOINT SET	1
16	28P-2510H-00	BOOT SET(DOUBLE OFFSET JOINT)	1
17	28P-2510G-00	BOOT SET (BALL JOINT)	1
18	28P-2518E-00	SHAFT	1
19	3B4-2511H-00	BOOT BAND(DOUBLE OFFSET JOINT)	1
20	3B4-2512G-00	BOOT BAND (SMALL)	1
21	28P-2512G-00	BOOT BAND (SMALL)	1
22	3B4-2512J-00	SNAP RING	1
23	3B4-2512H-00	CIRCLIP	1
24	3B4-25182-00	CIRCLIP	1
25	28P-2511H-00	BOOT BAND(DOUBLE OFFSET JOINT)	1
26	93450-22119	CIRCLIP	1
27	90179-20016	NUT	1

Fig. 33 FRONT WHEEL 2



Ref. No.	Part No.	Description	Remarks
	28 3B4-2512A-00	CAP, WHEEL	1
<hr/>			
<hr/>			
<hr/>			
<hr/>			
<hr/>			
<hr/>			
<hr/>			
<hr/>			
<hr/>			
<hr/>			

Fig. 32 FRONT WHEEL

Ref. No.	Part No.	Description	Remarks
1	3B4-25180-00	WHEEL COMP.	1 UR PDG,RTR,DPBSN
2	94108-12012	TIRE (AT25X8-12** KT421 T/L N)	1 DUNLOP
3	93900-00030	VALVE, RIM (TR412)	1 TAIHEIYO
4	90179-10020	NUT	4
5	3B4-25111-10	HUB, FRONT	1

6	90114-10014	. BOLT, SERRATION	4
7	3B4-23501-01	STEERING KNUCKLE ASSY (LEFT)	1
8	93305-00602	. BEARING	1
9	99009-55500	. CIRCLIP	1
10	3B4-23579-01	. BALL JOINT 2	1

11	99009-30400	. CIRCLIP	1
12	3B4-2514A-00	RING, WHEEL 1	1
13	90154-06014	SCREW, BINDING	3
14	28P-2510J-00	DOUBLE OFF SET JOINT	1
15	28P-2510F-00	BALL JOINT SET	1

16	28P-2510H-00	BOOT SET(DOUBLE OFFSET JOINT)	1
17	28P-2510G-00	BOOT SET (BALL JOINT)	1
18	28P-2518E-00	SHAFT	1
19	3B4-2511H-00	BOOT BAND(DOUBLE OFFSET JOINT)	1
20	3B4-2512G-00	BOOT BAND (SMALL)	1

21	28P-2512G-00	BOOT BAND (SMALL)	1
22	3B4-2512J-00	SNAP RING	1
23	3B4-2512H-00	CIRCLIP	1
24	3B4-25182-00	CIRCLIP	1
25	28P-2511H-00	BOOT BAND(DOUBLE OFFSET JOINT)	1

26	93450-22119	CIRCLIP	1
27	90179-20016	NUT	1

LEFT HAND SIDE

14	a, b, c, d, e, f	
15	h, i, j, k, l	
16	b, c, d, e, f	
17	h, i, j, k	
18	g	19 d
20	f	21 h
22	c	23 k
24	b	25 j

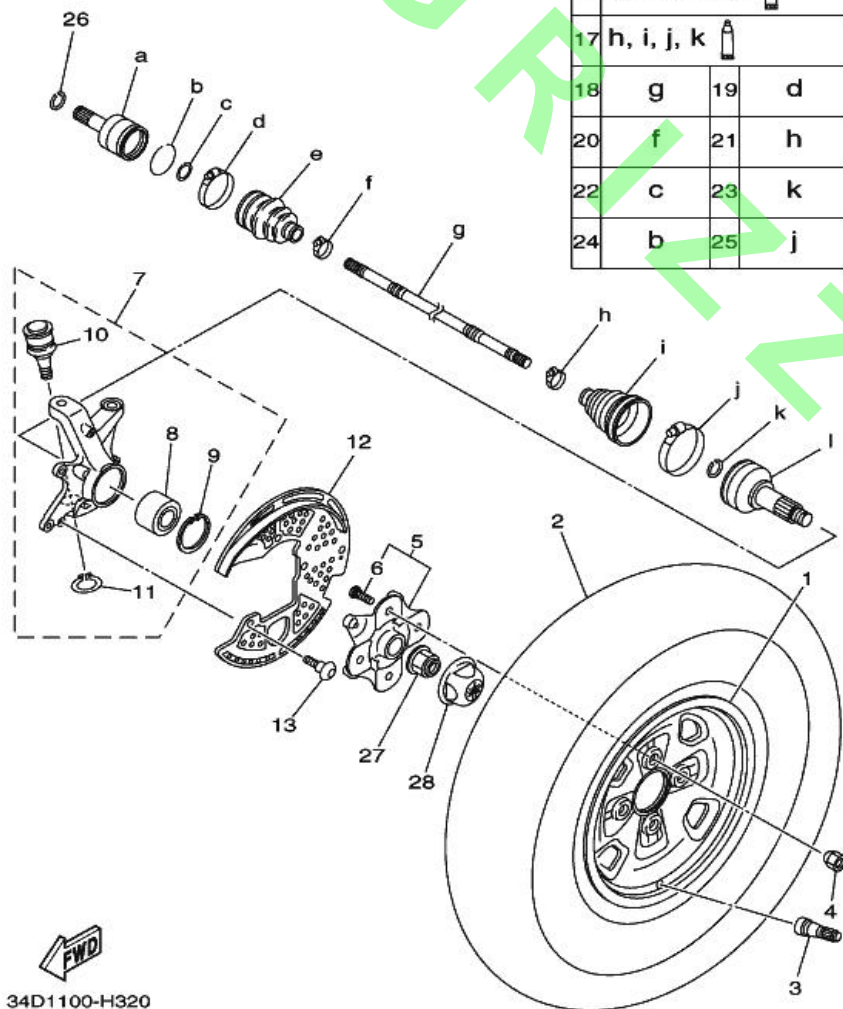
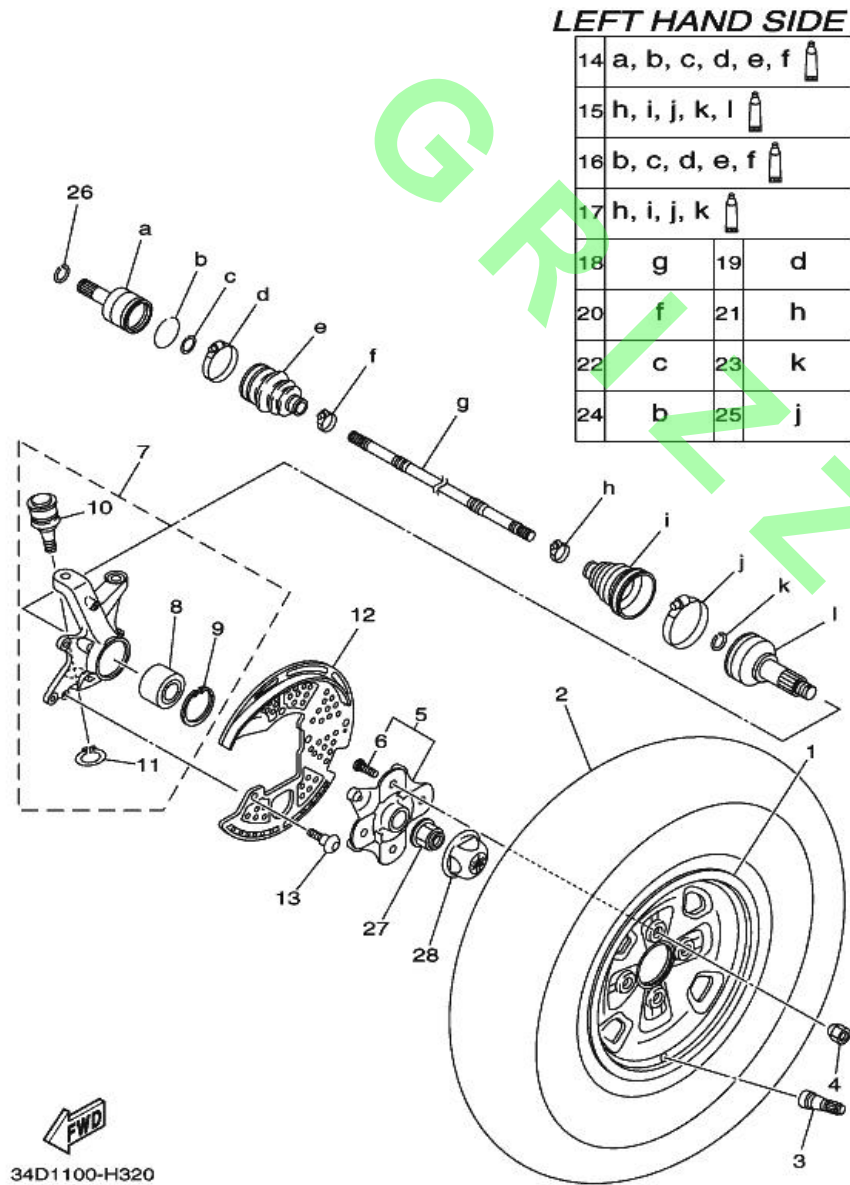
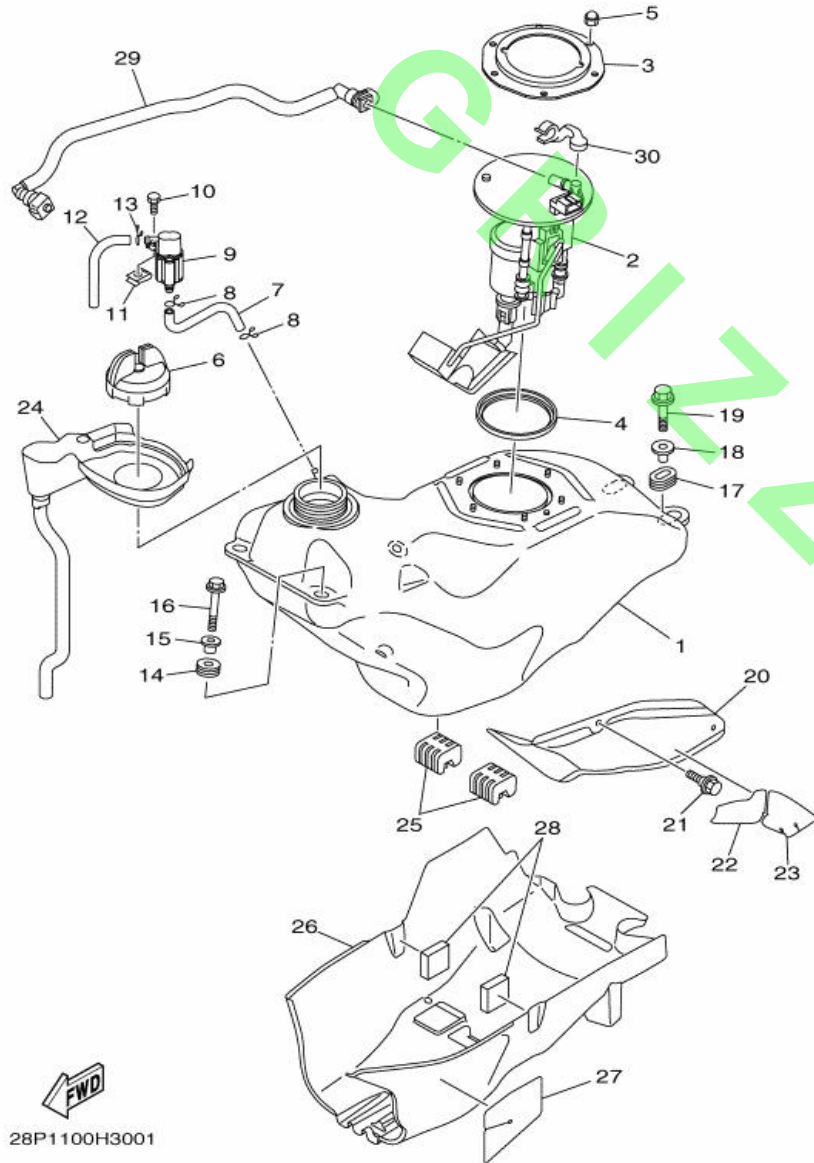


Fig. 32 FRONT WHEEL



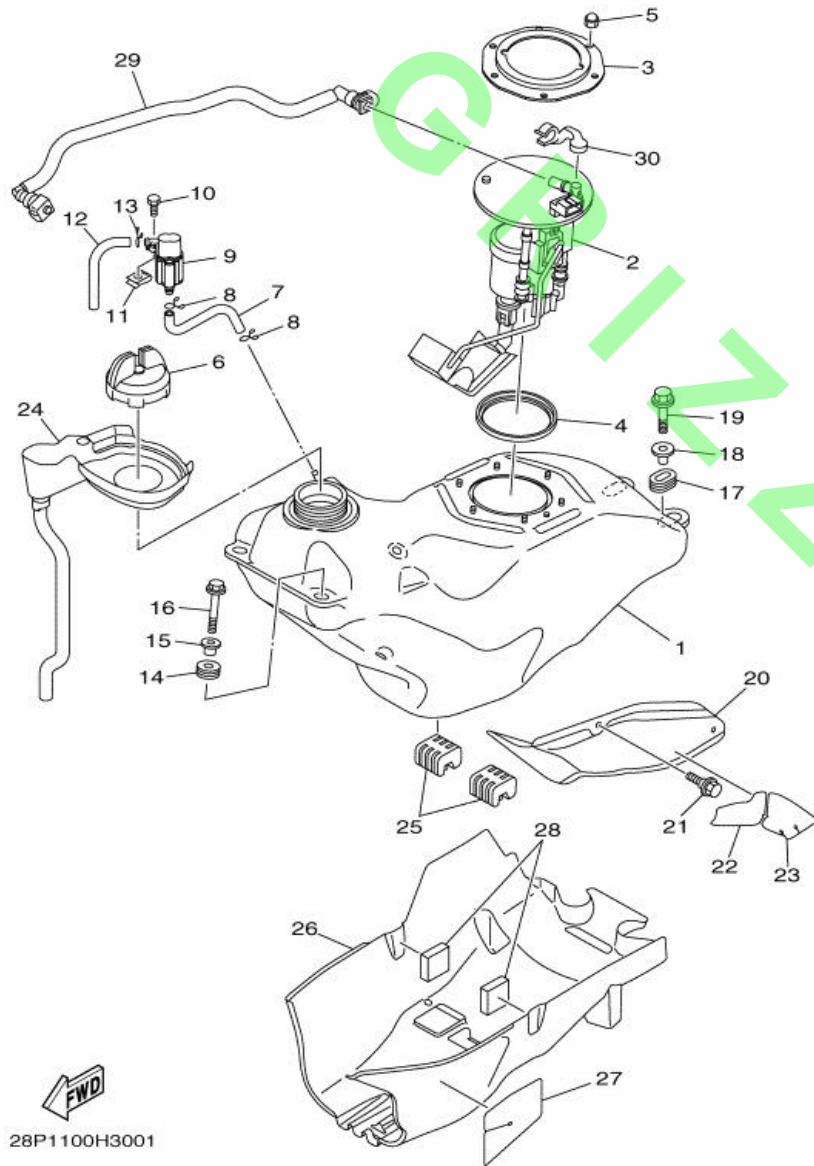
Ref. No.	Part No.	Description	Quantity	Remarks
	28 3B4-2512A-00	CAP, WHEEL	1	
<hr/>				
<hr/>				
<hr/>				
<hr/>				
<hr/>				
<hr/>				
<hr/>				
<hr/>				
<hr/>				
<hr/>				

Fig. 30 FUEL TANK



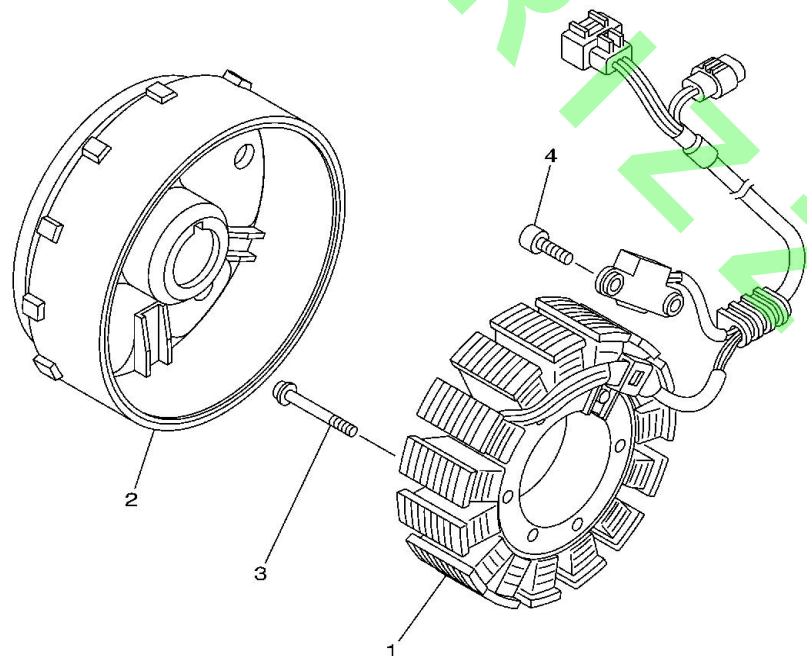
Ref. No.	Part No.	Description		Remarks
1	3B4-24110-10	FUEL TANK COMP.	1	
2	3B4-13907-10	FUEL PUMP COMP.	1	
3	3B4-24491-00	BRACKET, FUEL PUMP	1	
4	1S3-24486-00	O-RING	1	
5	95302-06800	NUT, CROWN	6	
6	3B4-24610-00	CAP ASSY	1	
7	3B4-24312-00	PIPE 2	1	
8	90467-09006	CLIP	2	
9	28P-24380-00	PIPE JOINT ASSY	1	
10	97002-06016	BOLT	1	
11	90183-06053	NUT, SPRING	1	
12	90445-09068	HOSE (L110)	1	
13	90467-09006	CLIP	1	
14	90480-18290	GROMMET	2	
15	90387-066J1	COLLAR	2	
16	95802-06030	BOLT, FLANGE	2	
17	90480-01400	GROMMET	2	
18	90387-07021	COLLAR	2	
19	95802-06030	BOLT, FLANGE	2	
20	3B4-24129-00	COVER, SIDE 1	1	
21	90109-06172	BOLT	2	
22	3B4-2414J-00	DAMPER, PLATE 2	1	
23	3B4-2414K-00	DAMPER, PLATE 3	1	
24	3B4-2414F-00	COVER, FILLER COMP.	1	
25	3B4-24181-00	DAMPER, LOCATING 1	2	
26	3B4-24141-00	PROTECTOR, FUEL TANK	1	
27	3B4-2416G-00	INSULATOR, FUEL TANK 2	1	

Fig. 30 FUEL TANK



Ref. No.	Part No.	Description		Remarks
	28 3B4-24182-00	DAMPER, LOCATING 2	2	
	29 3B4-13971-10	PIPE, FUEL 1	1	
	30 90464-14004	CLAMP	1	

Fig. 43 GENERATOR



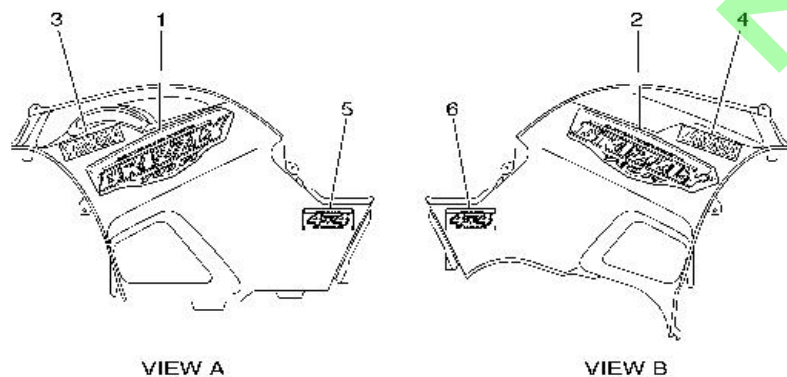
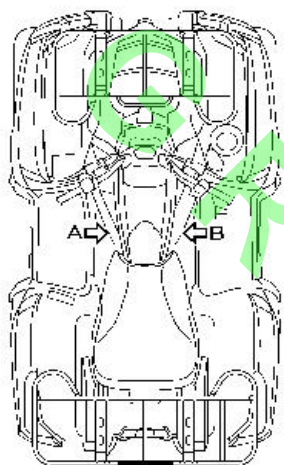
Ref. No.	Part No.	Description	Quantity	Remarks
1	28P-81410-00	STATOR ASSY	1	
2	28P-81450-00	ROTOR ASSY	1	
3	92012-06030	BOLT, BUTTON HEAD	3	
4	90110-05031	BOLT, HEXAGON SOCKET HEAD	2	



3B41100-F430

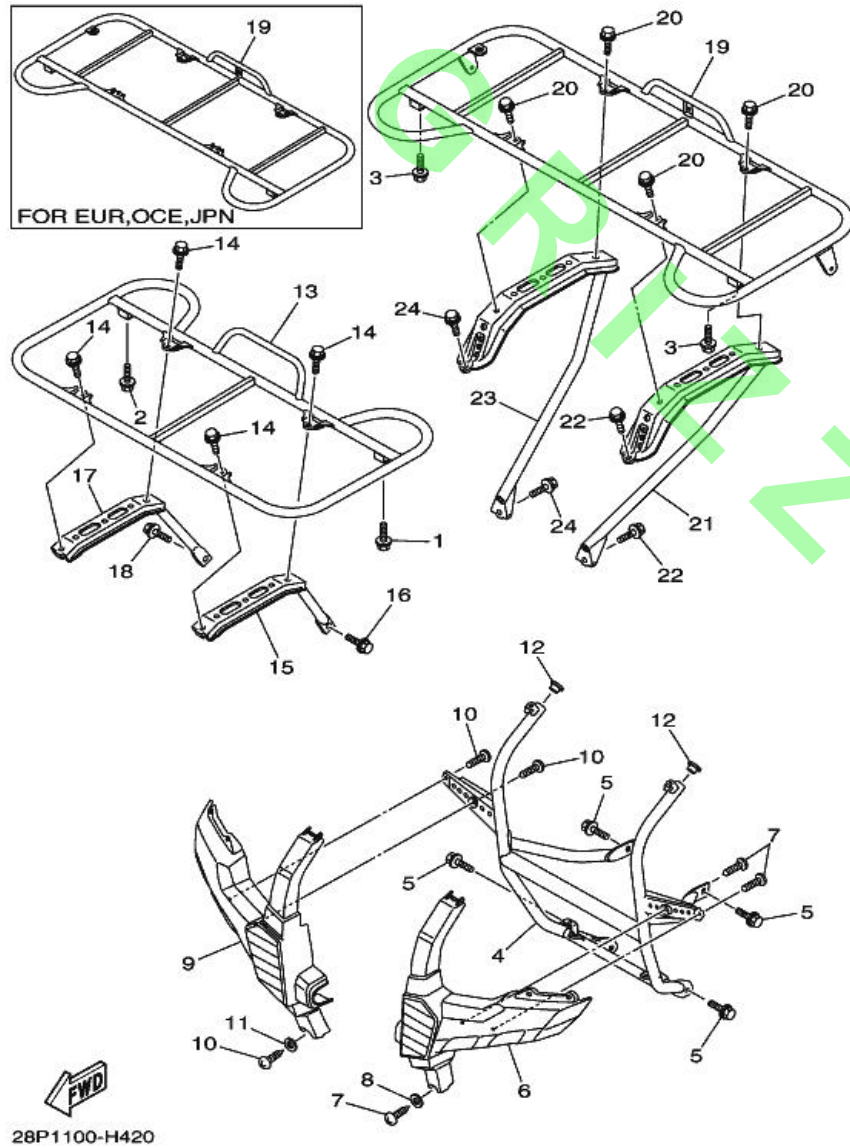
Fig. 51 GRAPHICS

Ref. No.	Part No.	Description	Quantity	Remarks
1	43P-2173E-00	GRAPHIC 1	1	
2	43P-2173E-00	GRAPHIC 1	1	
3	5KM-2173B-00	EMBLEM 3D	1	
4	5KM-2173B-00	EMBLEM 3D	1	
5	3B4-2163G-80	EMBLEM 1	1	UR FOR PDG
6	3B4-2163G-80	EMBLEM 1	1	UR FOR PDG



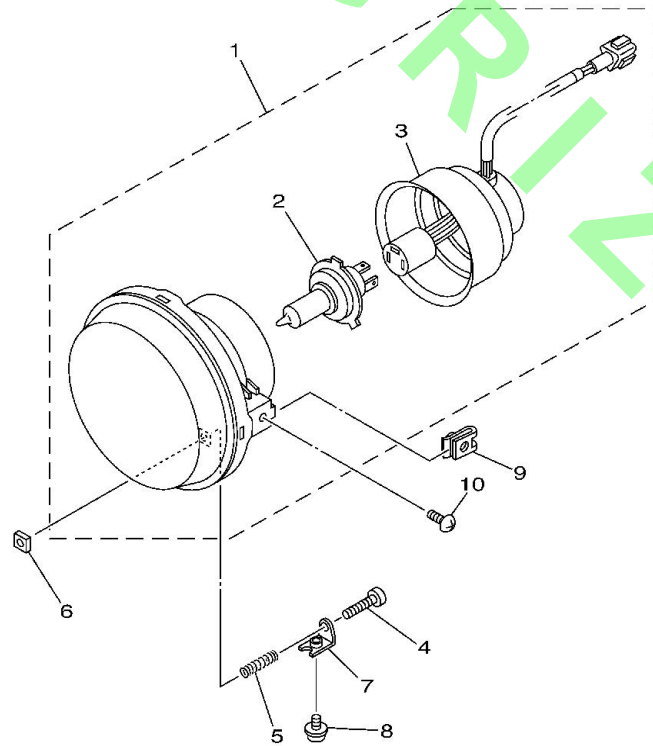
43P1100-H510

Fig. 42 GUARD



Ref. No.	Part No.	Description		Remarks
1	90119-06152	BOLT, WITH WASHER	1	
2	90119-06152	BOLT, WITH WASHER	1	
3	90119-06152	BOLT, WITH WASHER	2	
4	3B4-2845N-00	BAR, CARRY FRONT	1	
5	95812-08014	BOLT, FLANGE	4	
<hr/>				
6	3B4-2842M-10	COVER 1	1	
7	97702-50516	SCREW, TAPPING	3	
8	92902-05200	WASHER	1	
9	3B4-2842N-10	COVER 2	1	
10	97702-50516	SCREW, TAPPING	3	
<hr/>				
11	92902-05200	WASHER	1	
12	90338-18122	PLUG	2	
13	3B4-24841-01	CARRIER, FRONT	1	
14	95812-08014	BOLT, FLANGE	4	
15	3B4-24821-00	STAY, FRONT CARRIER 1	1	
<hr/>				
16	90119-08118	BOLT, WITH WASHER	1	
17	3B4-24822-00	STAY, FRONT CARRIER 2	1	
18	90119-08118	BOLT, WITH WASHER	1	
19	3B4-24842-11	CARRIER, REAR	1	
20	95812-08014	BOLT, FLANGE	4	
<hr/>				
21	3B4-2482J-10	FRAME, CARRIER 1	1	
22	90119-10044	BOLT, WITH WASHER	2	
23	3B4-2482K-10	FRAME, CARRIER 2	1	
24	90119-10044	BOLT, WITH WASHER	2	
<hr/>				

Fig. 46 HEADLIGHT

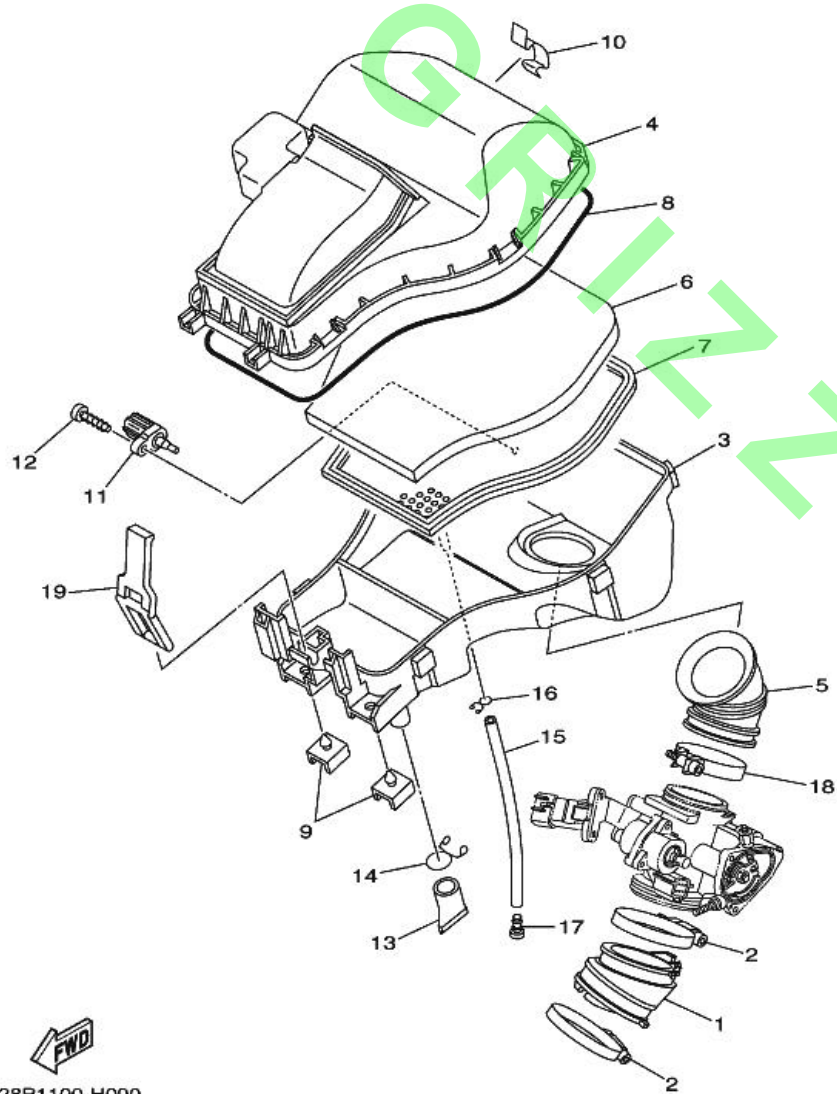


Ref. No.	Part No.	Description		Remarks
1	28P-84300-00	HEADLIGHT ASSY	2	
2	3B4-84314-00	. BULB, HEADLIGHT (12V 35/35W)	1	
3	3B4-84340-00	. SOCKET CORD ASSY 1	1	
4	98502-03530	SCREW, PAN HEAD	2	
5	90501-05764	SPRING, COMPRESSION	2	
6	2GU-84334-00	NUT, ADJUSTING	2	
7	5GH-84703-10	BRACKET	2	
8	90159-05044	SCREW, WITH WASHER	2	
9	90183-05008	NUT, SPRING	4	
10	90154-05021	SCREW, BINDING	4	



3B41100-F460

Fig. 09 INTAKE




28P1100-H090

Ref. No.	Part No.	Description		Remarks
	1 3B4-13586-00	JOINT, CARBURETOR 1	1	
	2 90450-72004	HOSE CLAMP ASSY	2	
	3 3B4-14411-20	CASE, AIR CLEANER 1	1	
	4 3B4-14402-02	CAP ASSY, AIR CLEANER	1	
	5 3B4-14453-00	JOINT, AIR CLEANER 1	1	
	6 3B4-14451-00	ELEMENT, AIR CLEANER	1	
	7 3B4-14472-00	PLATE, ELEMENT	1	
	8 3B4-14457-00	SEAL	1	
	9 3B4-14409-00	DAMPER	2	
	10 3B4-14424-00	CLIP, CAP FITTING	6	
	11 8FP-85886-00	SENSOR, AIR TEMPERATURE	1	
	12 97702-50520	SCREW, TAPPING	1	
	13 59V-14457-00	SEAL	1	
	14 90467-220A1	CLIP	1	
	15 91A20-07020	TUBE, FLEXIBLE VINYL (L200)	1	
	16 90467-10041	CLIP	1	
	17 90338-08174	PLUG	1	
	18 90450-59006	HOSE CLAMP ASSY	1	
	19 3B4-14455-00	BAND	1	

Fig. 56 MAINTENANCE PARTS KIT

Ref. No.	Part No.	Description		Remarks
1	17S-WB024-00	WHEEL BEARING KIT	2	AP
2	93305-00602	. BEARING	2	

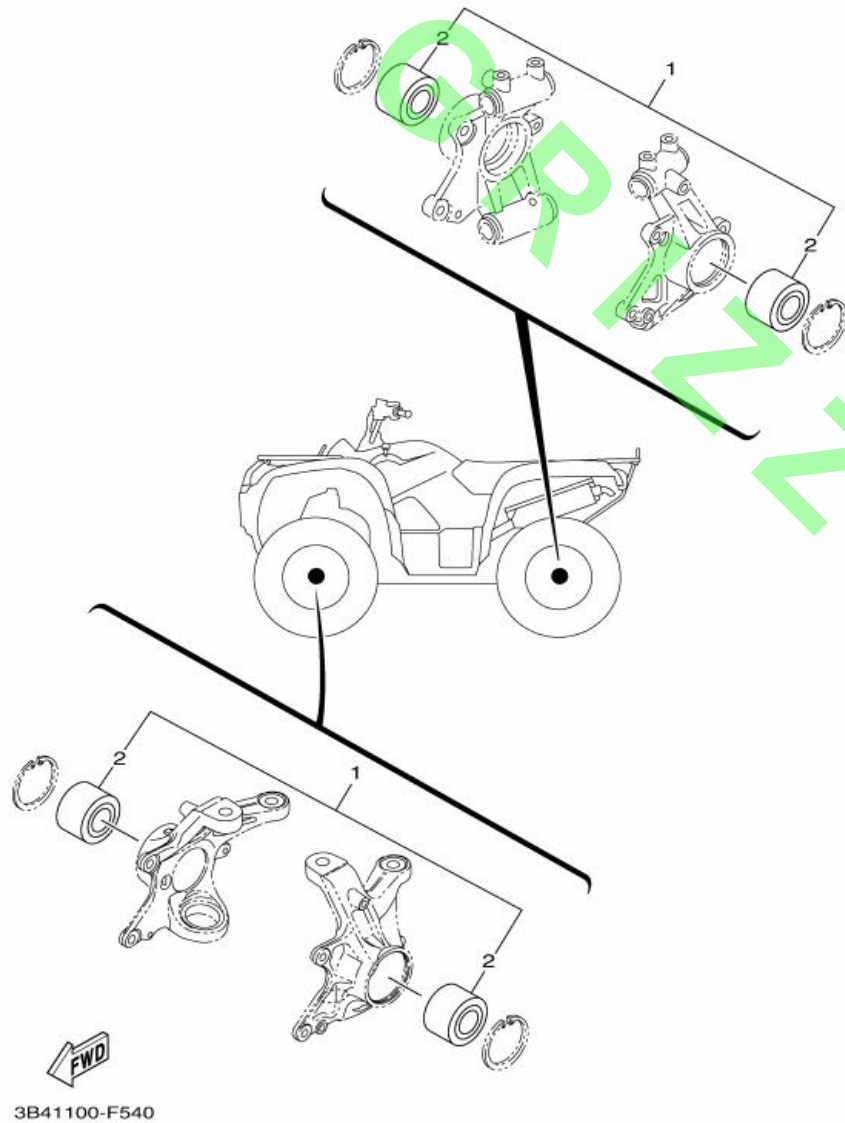
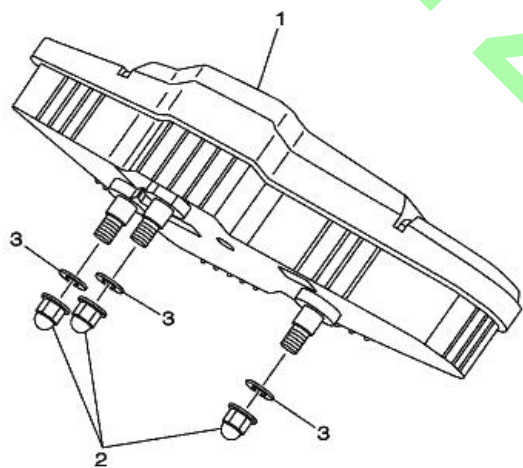


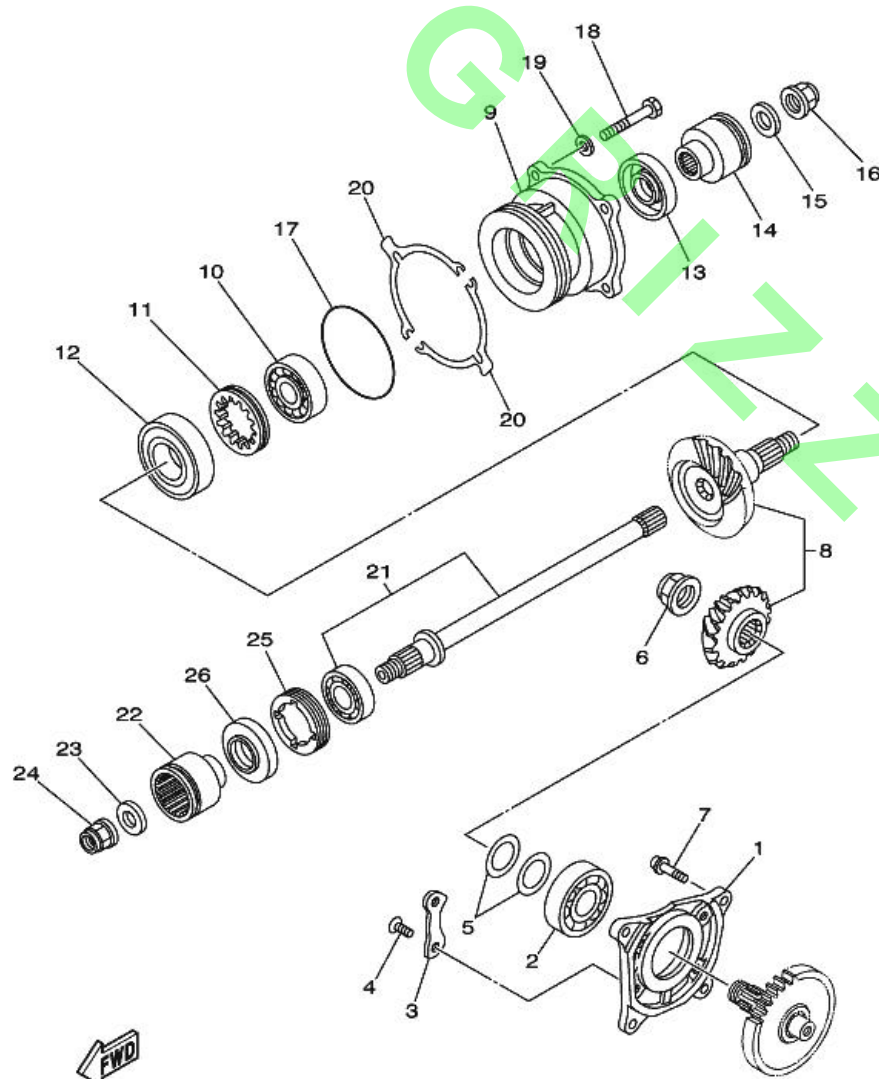
Fig. 45 METER

Ref. No.	Part No.	Description	Remarks
1	34D-83500-10	METER ASSY	1 KM/H
2	95302-05800	NUT, CROWN	3
3	90201-05039	WASHER, PLATE	3



3B49100-G450

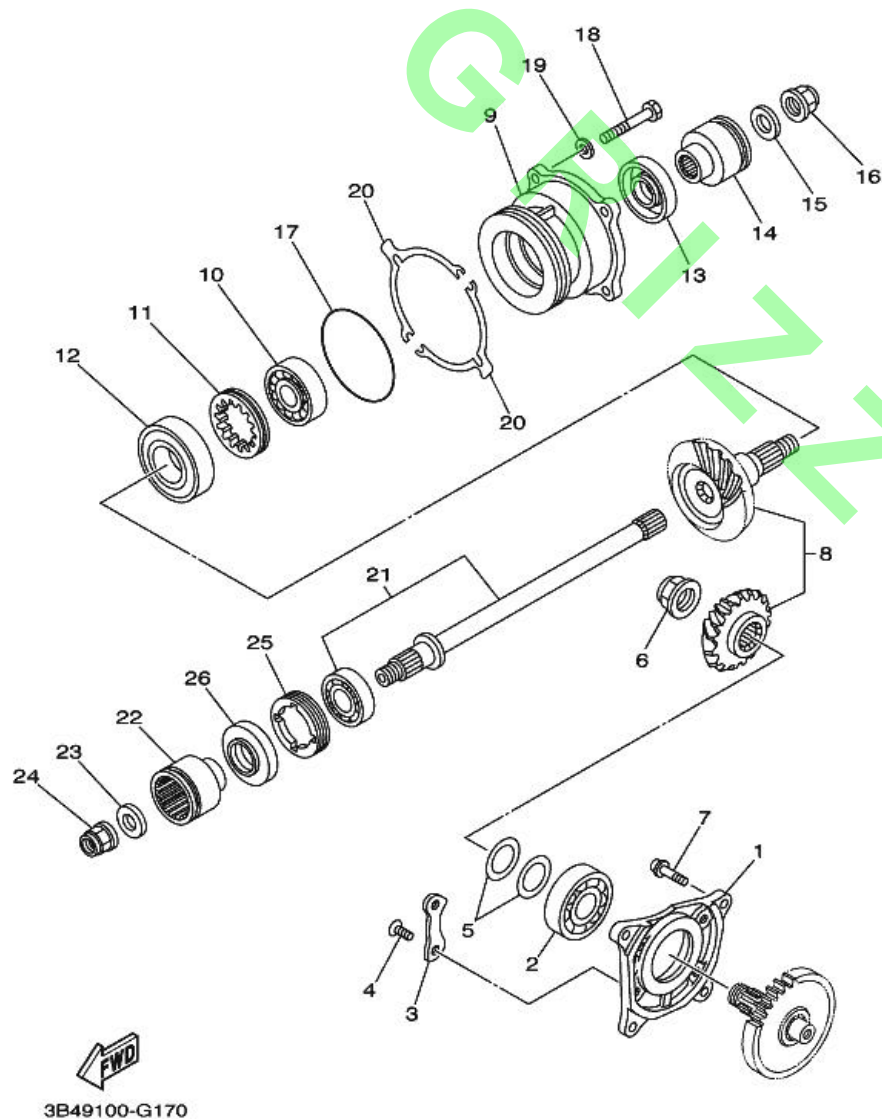
Fig. 17 MIDDLE DRIVE GEAR



FWD
3B49100-G170

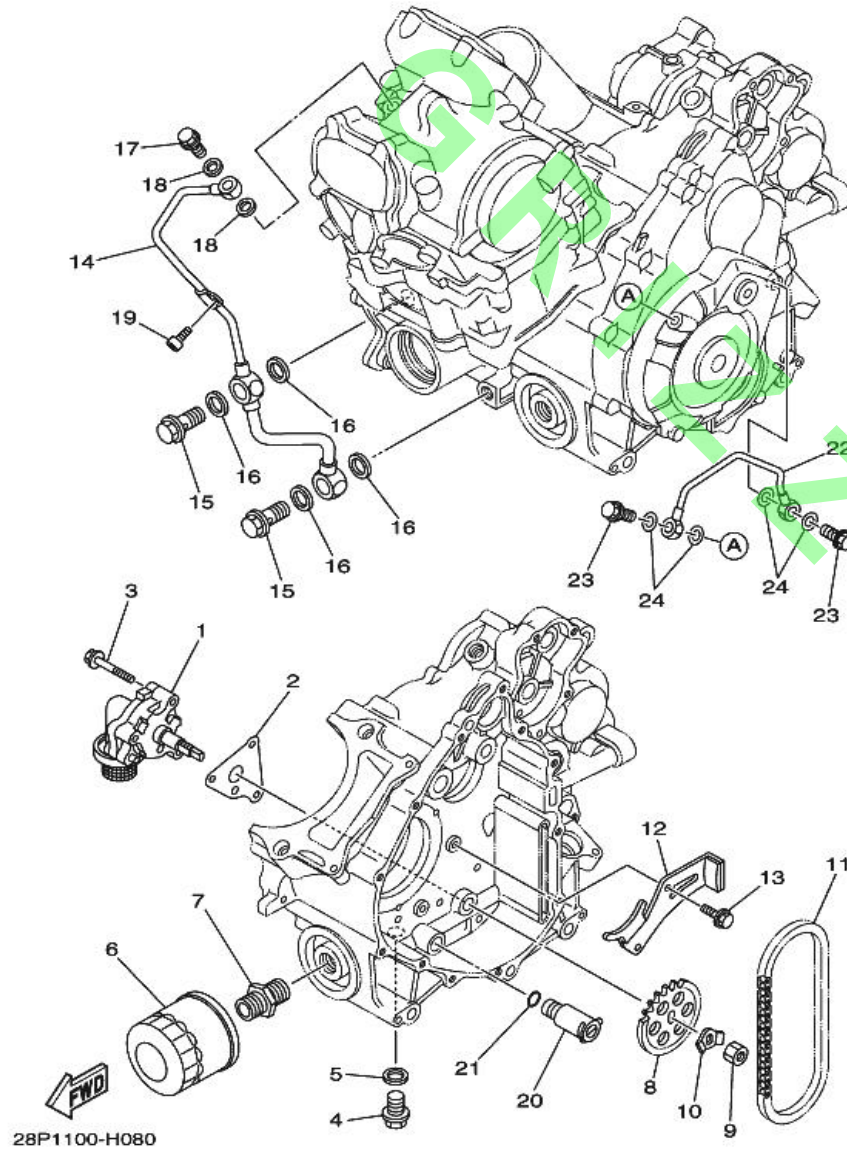
Ref. No.	Part No.	Description		Remarks
1	3B4-17521-00	HOUSING, BEARING	1	
2	93306-30537	BEARING	1	
3	11H-15383-02	PLATE, BEARING COVER	2	
4	90149-08013	SCREW	4	
5	5KM-17531-50	SHIM, PINION (0.5T)	2	UR
	5KM-17531-60	SHIM, PINION (0.55T)	2	UR
	5KM-17531-70	SHIM, PINION (0.6T)	2	UR
	5KM-17531-80	SHIM, PINION (0.7T)	2	UR
	5KM-17531-90	SHIM, PINION (0.8T)	2	UR
	5KM-17531-A0	SHIM, PINION (0.9T)	2	UR
	5KM-17531-B0	SHIM, PINION (1.0T)	2	UR
6	90179-22013	NUT	1	
7	90110-08091	BOLT, HEXAGON SOCKET HEAD	4	
8	3B4-17530-00	PINION SET	1	
9	3B4-17551-00	HOUSING, BEARING	1	
10	93306-37206	BEARING	1	
11	90179-60001	NUT	1	
12	93306-20654	BEARING	1	
13	93102-30010	OIL SEAL	1	
14	3B4-17832-10	COUPLING	1	
15	90201-16021	WASHER, PLATE	1	
16	90179-16006	NUT	1	
17	93210-78544	O-RING	1	
18	97022-08030	BOLT	4	
19	92902-08600	WASHER, PLATE	4	
20	3B4-17531-00	SHIM, PINION (0.1T)	2	UR
	3B4-17531-10	SHIM, PINION (0.15T)	2	UR

Fig. 17 MIDDLE DRIVE GEAR



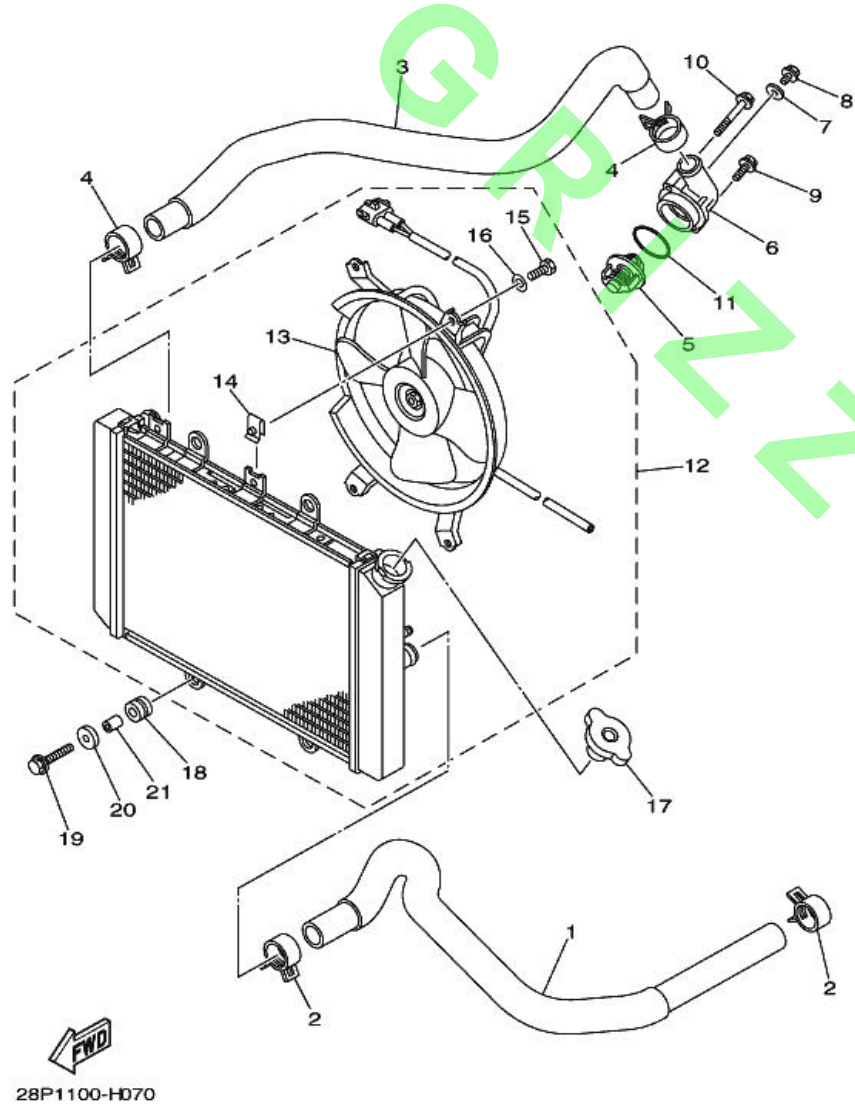
Ref. No.	Part No.	Description		Remarks
	3B4-17531-20	SHIM, PINION (0.2T)	2	UR
	3B4-17531-30	SHIM, PINION (0.3T)	2	UR
	3B4-17531-40	SHIM, PINION (0.4T)	2	UR
	3B4-17531-50	SHIM, PINION (0.5T)	2	UR
	3B4-17531-60	SHIM, PINION (0.6T)	2	UR
<hr/>				
21	3B4-1755A-00	MIDDLE DRIVEN SHAFT ASSY	1	
22	3B4-17832-10	COUPLING	1	
23	90201-16021	WASHER, PLATE	1	
24	90179-16006	NUT	1	
25	90179-55660	NUT	1	
<hr/>				
26	93102-30010	OIL SEAL	1	
<hr/>				
<hr/>				
<hr/>				
<hr/>				

Fig. 08 OIL PUMP



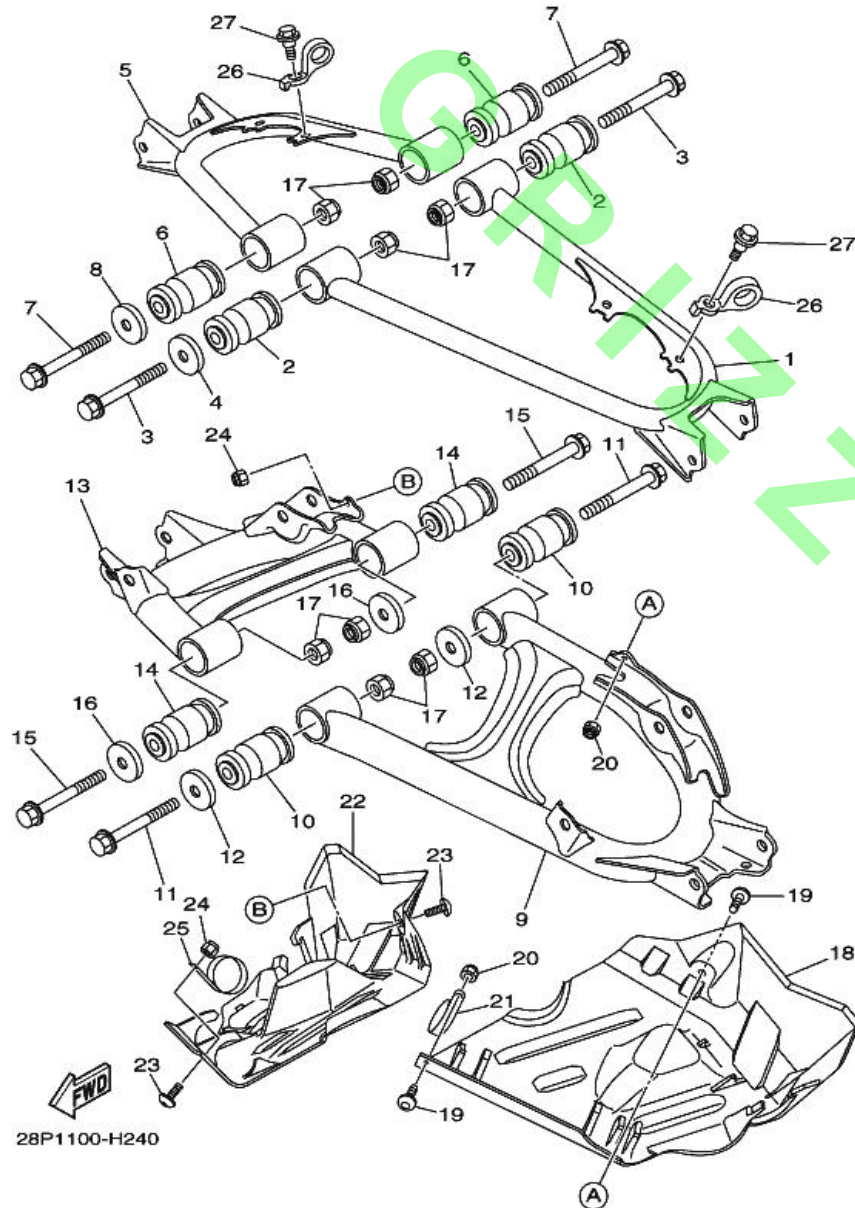
Ref. No.	Part No.	Description	Remarks
1	3B4-13300-00	OIL PUMP ASSY	1
2	3B4-13329-00	GASKET, PUMP COVER	1
3	95022-06040	BOLT, FLANGE	3
4	90340-14132	PLUG, STRAIGHT SCREW	1
5	214-11198-01	GASKET	1
6	5GH-13440-20	ELEMENT ASSY, OIL CLEANER	1
7	90401-20003	BOLT, UNION	1
8	3B4-13355-00	SPROCKET, DRIVEN	1
9	95312-10600	NUT	1
10	90215-10008	WASHER, LOCK	1
11	94580-31074	CHAIN (DID 25HT)	1
12	3B4-12221-00	GUIDE, STOPPER 3	1
13	90105-06082	BOLT, FLANGE	2
14	3B4-13171-00	PIPE, DELIVERY 2	1
15	90401-14118	BOLT, UNION	2
16	90430-14043	GASKET	4
17	90401-10024	BOLT, UNION	1
18	90430-10188	GASKET	2
19	91312-06012	BOLT	1
20	25G-13490-00	RELIEF VALVE ASSY	1
21	93210-10096	O-RING	1
22	28P-13161-00	PIPE, DELIVERY 1	1
23	90401-08006	BOLT, UNION	2
24	90430-08119	GASKET	4

Fig. 07 RADIATOR & HOSE



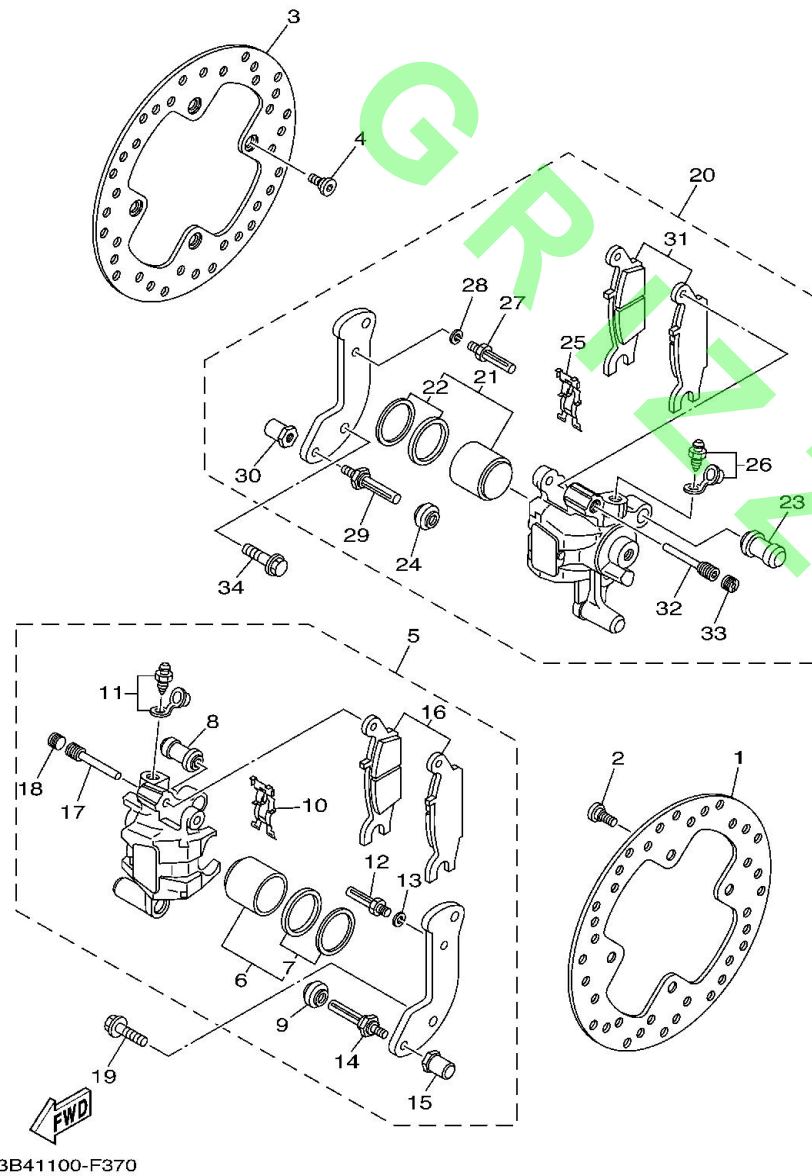
Ref. No.	Part No.	Description		Remarks
1	3B4-12576-00	HOSE 1	1	
2	90467-26189	CLIP	2	
3	3B4-12578-00	HOSE 3	1	
4	90467-26189	CLIP	2	
5	3B4-12411-00	THERMOSTAT	1	
6	1S3-12413-00	COVER, THERMOSTAT	1	
7	90430-06014	GASKET	1	
8	95022-06010	BOLT, FLANGE	1	
9	95022-06020	BOLT, FLANGE	1	
10	95022-06045	BOLT, FLANGE	1	
11	93210-41042	O-RING	1	
12	28P-1240A-00	RADIATOR ASSY	1	
13	28P-12405-00	. BLOWER ASSY	1	
14	1AA-12535-00	. PLATE	4	
15	97017-06010	. BOLT	4	
16	92907-06600	. WASHER, PLATE	4	
17	22W-12462-00	CAP, RADIATOR	1	
18	90480-15235	GROMMET	4	
19	95802-06020	BOLT, FLANGE	2	
20	90209-06012	WASHER	2	
21	90387-06113	COLLAR	2	

Fig. 24 REAR ARM



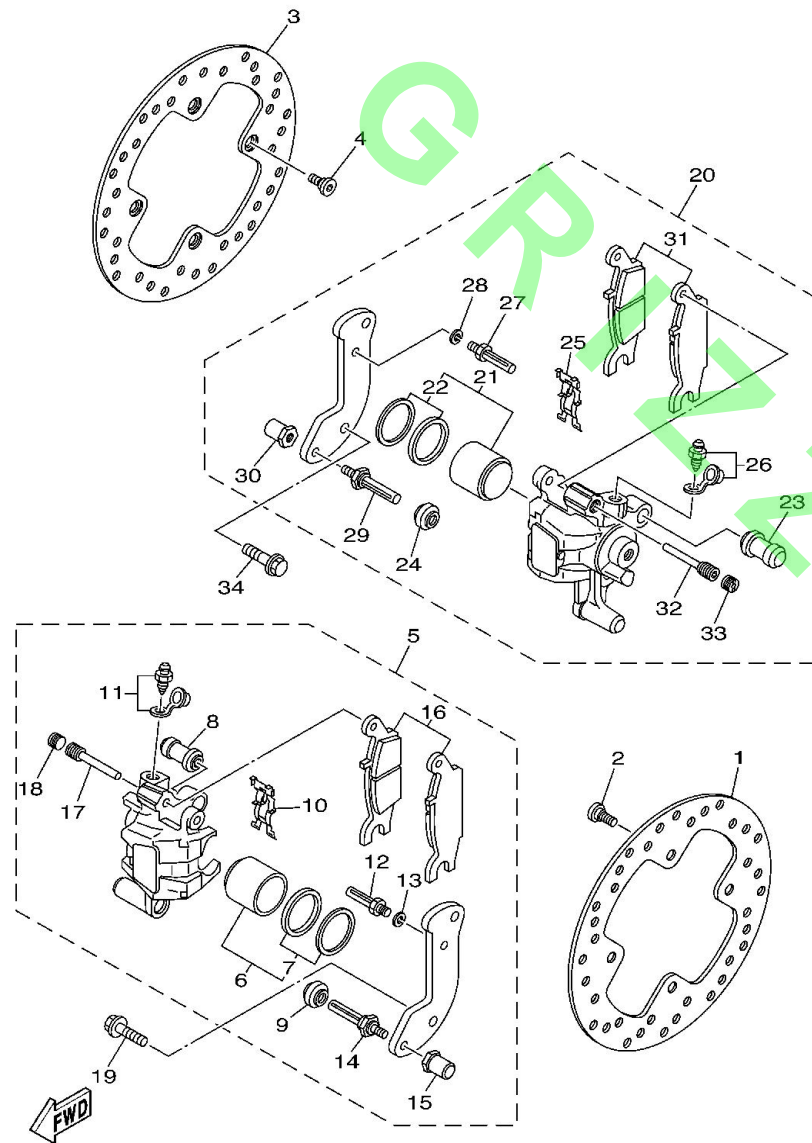
Ref. No.	Part No.	Description		Remarks
	1 3B4-22171-00	ARM, REAR 1	1	
	2 5KM-23526-10	BUSH	2	
	3 90105-10222	BOLT, FLANGE	2	
	4 5KM-22149-10	WASHER	1	
	5 3B4-22172-00	ARM, REAR 2	1	
	6 5KM-23526-10	BUSH	2	
	7 90105-10222	BOLT, FLANGE	2	
	8 5KM-22149-10	WASHER	1	
	9 3B4-2217M-00	ARM 1	1	
	10 5KM-23526-10	BUSH	2	
	11 90105-10222	BOLT, FLANGE	2	
	12 5KM-22149-10	WASHER	2	
	13 3B4-2217N-00	ARM 2	1	
	14 5KM-23526-10	BUSH	2	
	15 90105-10222	BOLT, FLANGE	2	
	16 5KM-22149-10	WASHER	2	
	17 90185-10012	NUT, SELF-LOCKING	8	
	18 28P-22128-00	COVER, THRUST 1	1	
	19 90110-06200	BOLT, HEXAGON SOCKET HEAD	2	
	20 95702-06300	NUT, NYLON	2	
	21 34D-22465-00	HOLDER	1	
	22 28P-22129-00	COVER, THRUST 2	1	
	23 90110-06200	BOLT, HEXAGON SOCKET HEAD	2	
	24 95702-06300	NUT, NYLON	2	
	25 34D-22465-00	HOLDER	1	
	26 3B4-25875-00	HOLDER, BRAKE HOSE 1	4	
	27 90109-06172	BOLT	4	

Fig. 37 REAR BRAKE CALIPER



Ref. No.	Part No.	Description		Remarks
1	3B4-2582V-00	DISC, REAR BRAKE 1	1	
2	90109-08101	BOLT	4	
3	3B4-2582V-00	DISC, REAR BRAKE 1	1	
4	90109-08101	BOLT	4	
5	3B4-2580V-10	CALIPER ASSY, REAR 1	1	
6	3B4-W0057-20	. PISTON ASSY, CALIPER	1	
7	3B4-W0047-00	. . CALIPER SEAL KIT	1	
8	1UY-25937-51	. BOOT 2	1	
9	3JD-25917-00	. BOOT, CALIPER	1	
10	5DH-25919-50	. SUPPORT, PAD	1	
11	1UY-W0048-50	. BLEED SCREW KIT	1	
12	1UY-25926-51	. BOLT	1	
13	1UY-25938-51	. WASHER, SPRING	1	
14	3JD-25926-00	. BOLT	1	
15	3JD-25961-00	. NUT	1	
16	3B4-W0046-00	. BRAKE PAD KIT 2	1	
17	3GD-25933-00	. PIN, PAD	1	
18	8CR-25926-00	. BOLT	1	
19	90105-08161	BOLT, FLANGE	2	
20	3B4-2580W-10	CALIPER ASSY, REAR 2	1	
21	3B4-W0057-20	. PISTON ASSY, CALIPER	1	
22	3B4-W0047-00	. . CALIPER SEAL KIT	1	
23	1UY-25937-51	. BOOT 2	1	
24	3JD-25917-00	. BOOT, CALIPER	1	
25	5DH-25919-50	. SUPPORT, PAD	1	
26	1UY-W0048-50	. BLEED SCREW KIT	1	
27	1UY-25926-51	. BOLT	1	

Fig. 37 REAR BRAKE CALIPER

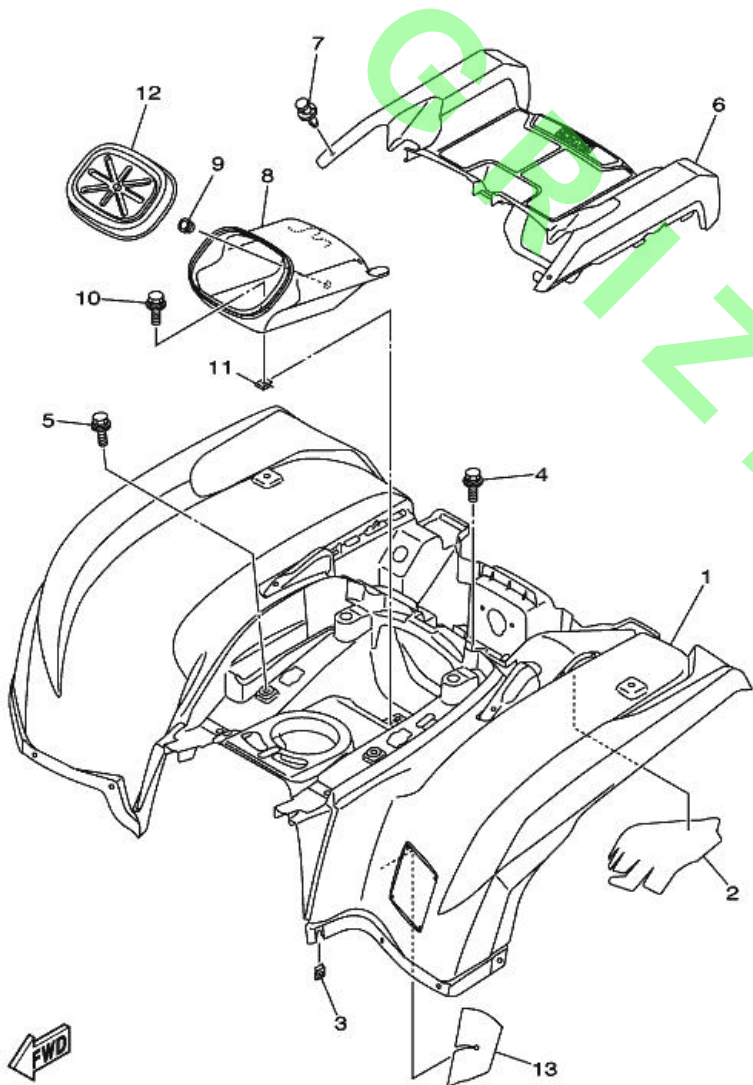


3B41100-F370

Ref. No.	Part No.	Description		Remarks
	28	1UY-25938-51 . WASHER, SPRING	1	
	29	3JD-25926-00 . BOLT	1	
	30	3JD-25961-00 . NUT	1	
	31	3B4-W0046-10 . BRAKE PAD KIT 2	1	
	32	3GD-25933-00 . PIN, PAD	1	
	33	8CR-25926-00 . BOLT	1	
	34	90105-08161 BOLT, FLANGE	2	

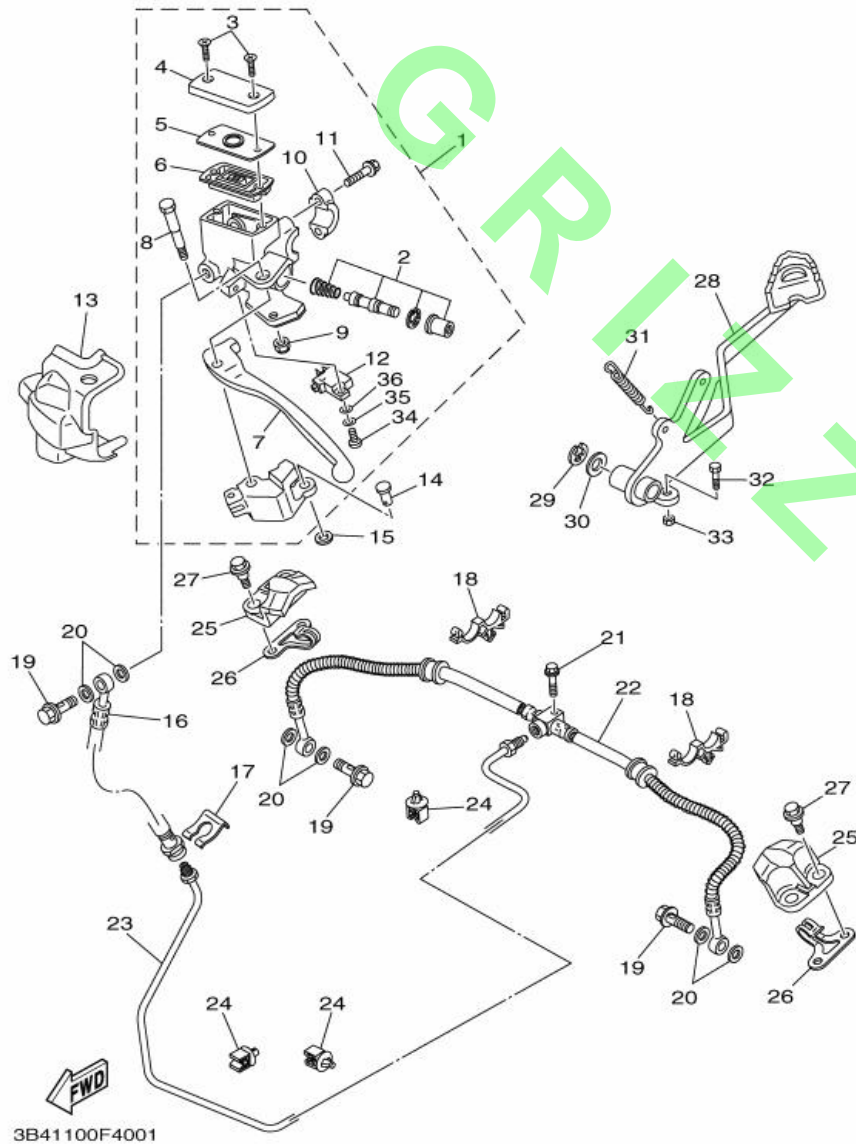
Fig. 22 REAR FENDER

Ref. No.	Part No.	Description	Remarks
1	3B4-W216C-01	REAR FENDER COMP.2	1 UR FOR PDG
2	3B4-21652-00	PROTECTOR	1
3	90183-06053	NUT, SPRING	1
4	90119-06152	BOLT, WITH WASHER	2
5	90119-06152	BOLT, WITH WASHER	2
6	3B4-21651-00	COVER, REAR FENDER	1
7	90269-07010	RIVET	2
8	3B4-2160E-00	BOX	1
9	90338-09130	PLUG	1
10	90119-06152	BOLT, WITH WASHER	1
11	90183-06053	NUT, SPRING	1
12	3B4-2160F-00	LID	1
13	3B4-21669-00	SEAL	1



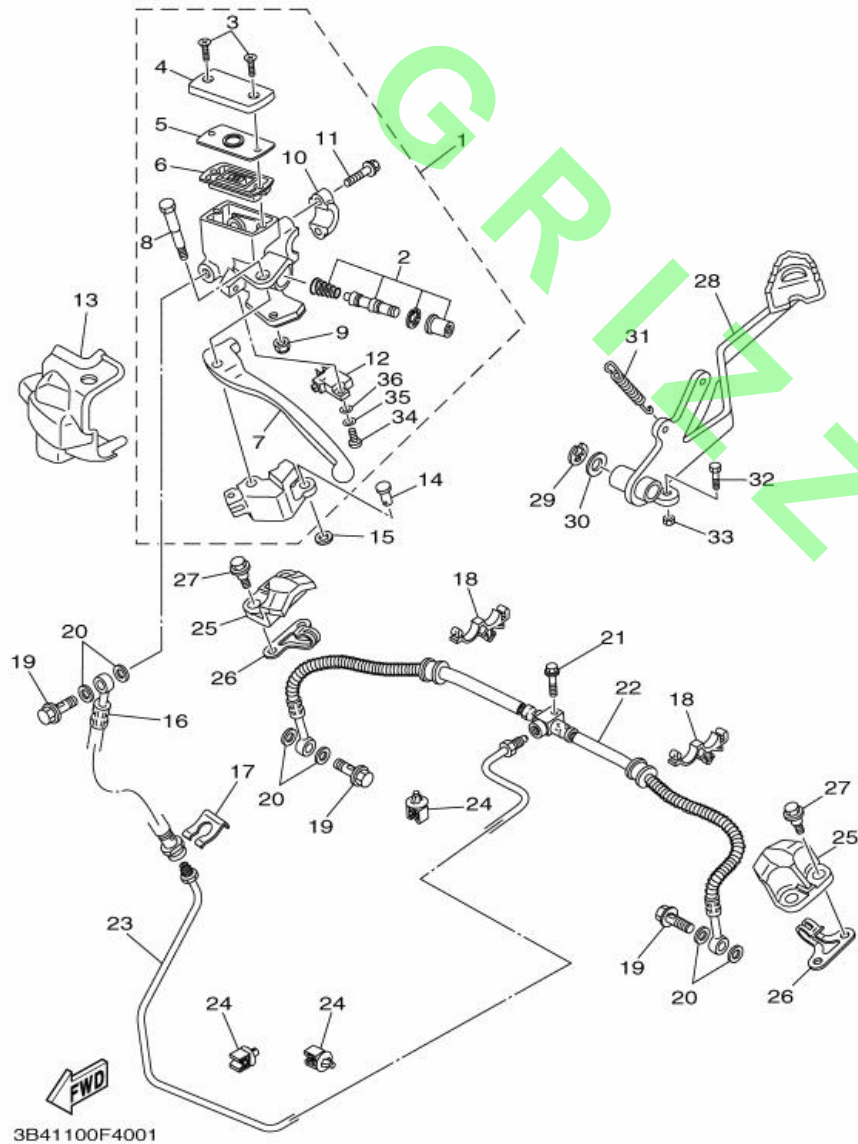
 3B49100-G220

Fig. 40 REAR MASTER CYLINDER



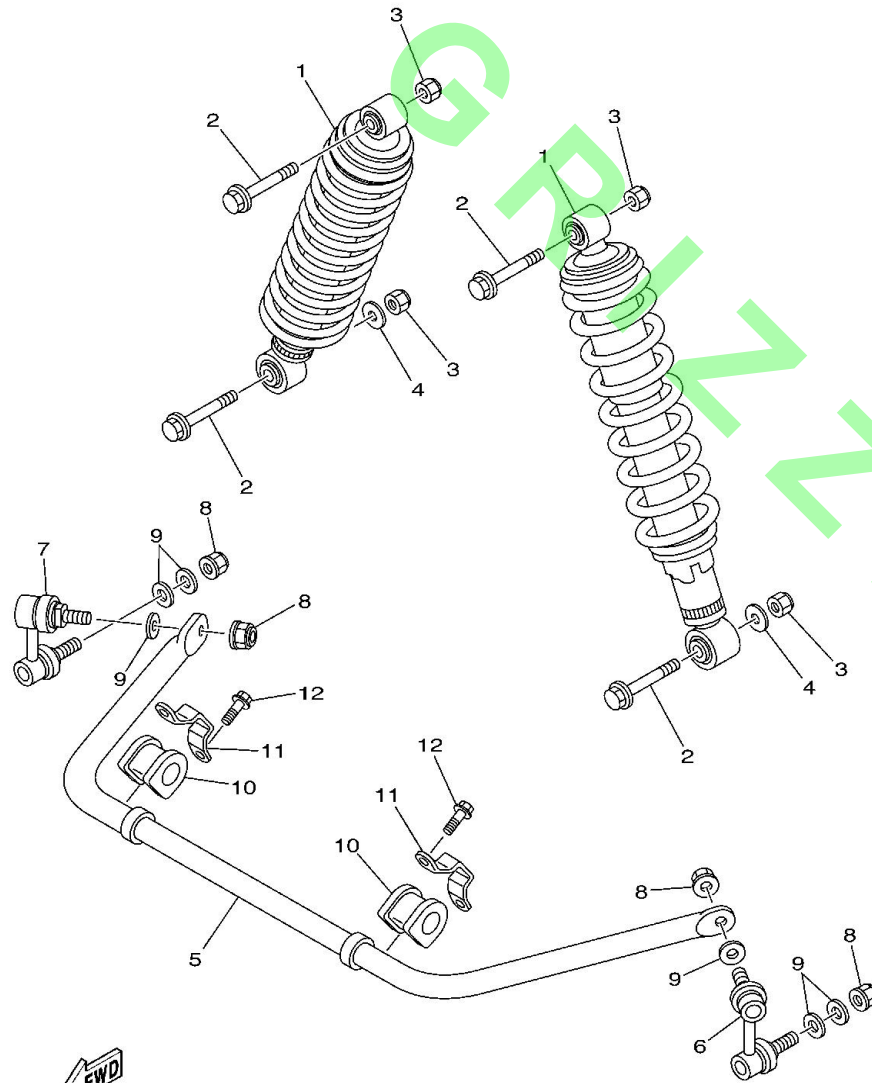
Ref. No.	Part No.	Description	Remarks
1	3B4-2583V-00	RR. MASTER CYLINDER ASSY.	1
2	5LP-W0041-00	. CYLINDER KIT, MASTER	1
3	98706-04012	. SCREW, FLAT HEAD	2
4	3GM-25852-22	. CAP, RESERVOIR	1
5	3B4-2585B-00	. PLATE, DIAPHRAGM	1
6	4TT-25854-00	. GASKET, DIAPHRAGM	1
7	3B4-83912-00	. LEVER 1	1
8	3B4-2589F-10	. BOLT, LEVER	1
9	3B4-26294-00	. NUT 1	1
10	56A-25867-00	. HOLDER	1
11	5EB-26332-00	. BOLT	2
12	3B4-83980-00	. FRONT STOP SWITCH ASSY	1
13	3B4-26372-00	COVER, HANDLE LEVER 1	1
14	90240-08013	PIN, CLEVIS	1
15	92902-08600	WASHER, PLATE	1
16	3B4-25872-10	HOSE, BRAKE 1	1
17	2GU-25866-00	CIRCLIP	1
18	90464-16006	CLAMP	2
19	90401-10015	BOLT, UNION	3
20	90201-10118	WASHER, PLATE	6
21	95822-06025	BOLT, FLANGE	1
22	3B4-25874-10	HOSE, BRAKE	1
23	3B4-25882-10	PIPE, BRAKE 2	1
24	5KM-81677-00	CLAMP 1	4
25	3B4-25715-00	COVER 1	2
26	3B4-2588F-00	HOLDER, BRAKE HOSE 5	2
27	90109-06172	BOLT	4

Fig. 40 REAR MASTER CYLINDER



Ref. No.	Part No.	Description		Remarks
	28 3B4-27211-00	PEDAL, BRAKE	1	
	29 99001-10600	CIRCLIP	1	
	30 90201-14023	WASHER, PLATE	1	
	31 90506-20014	SPRING, TENSION	1	
	32 97022-06014	BOLT	1	
	33 95312-06600	NUT	1	
	34 98502-04012	. SCREW, PAN HEAD	1	
	35 92902-04100	. WASHER, SPRING	1	
	36 92902-04600	. WASHER, PLATE	1	

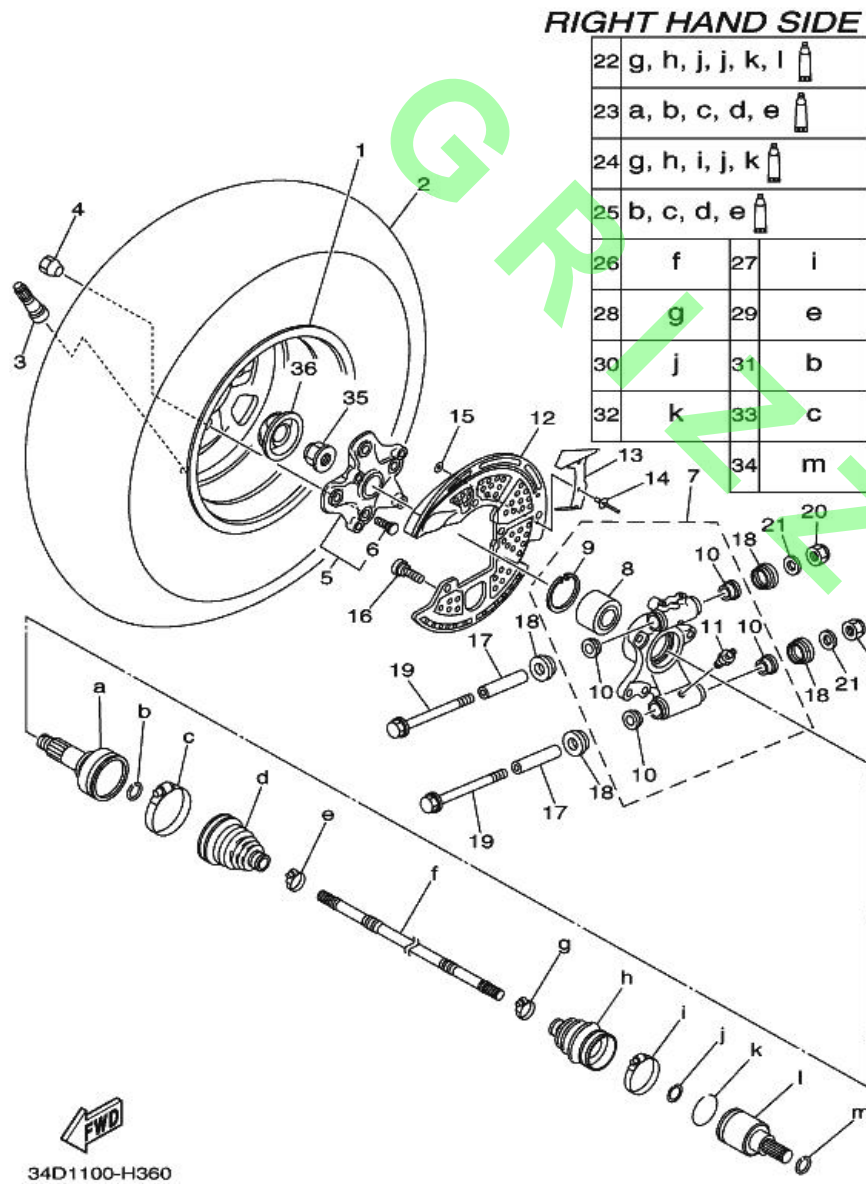
Fig. 25 REAR SUSPENSION



3B41100-F250

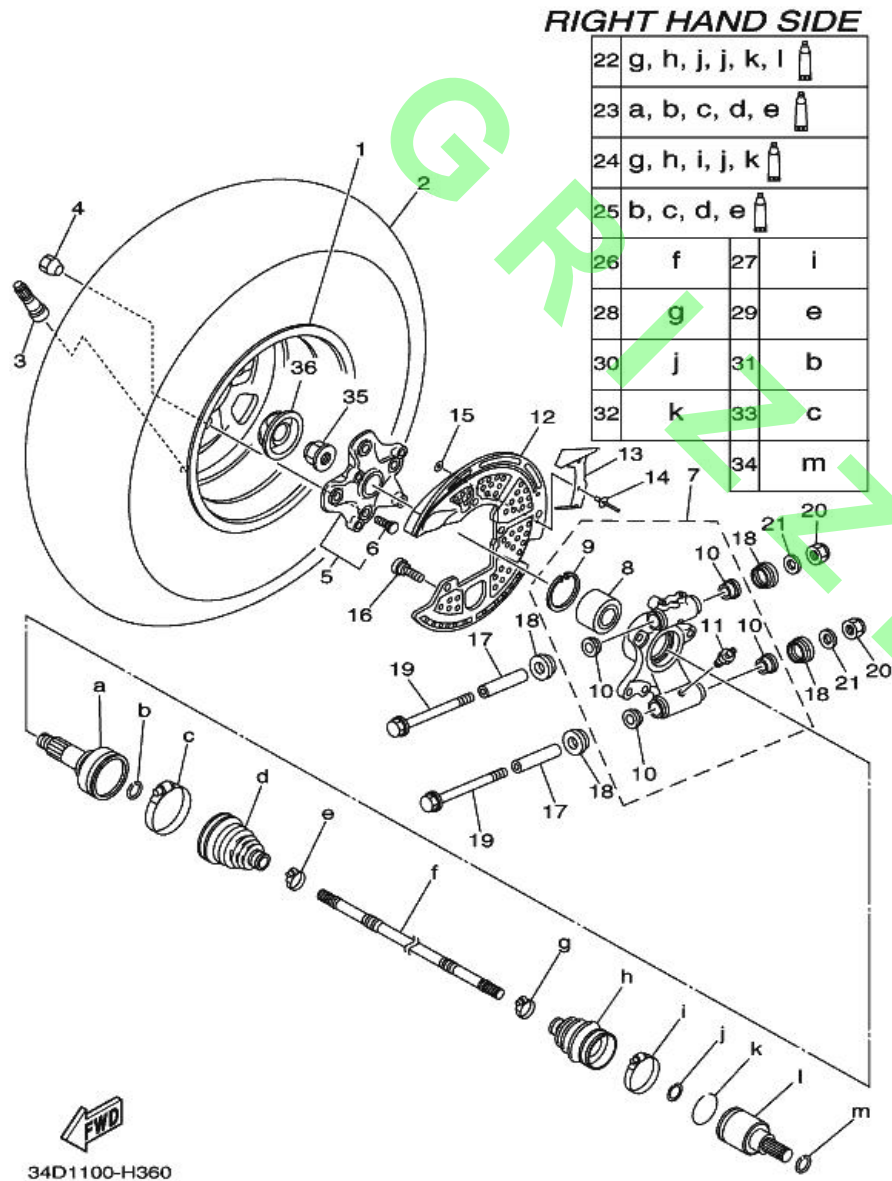
Ref. No.	Part No.	Description	Quantity	Remarks
1	3B4-22210-01	SHOCK ABSORBER ASSY, REAR	2	
2	90105-10131	BOLT, FLANGE	4	
3	90185-10012	NUT, SELF-LOCKING	4	
4	90201-10035	WASHER, PLATE	2	
5	3B4-47491-00	BAR, STABILIZER	1	
6	5KM-2385L-01	JOINT, STABILIZER 1	1	
7	5KM-2385M-01	JOINT, STABILIZER 2	1	
8	95602-10200	NUT, U FLANGE	4	
9	90201-10035	WASHER, PLATE	6	
10	3B4-2386G-00	BUSH, STABILIZER FRONT	2	
11	3B4-2386H-00	COVER, STABILIZER FRONT	2	
12	95812-08014	BOLT, FLANGE	4	

Fig. 36 REAR WHEEL 2



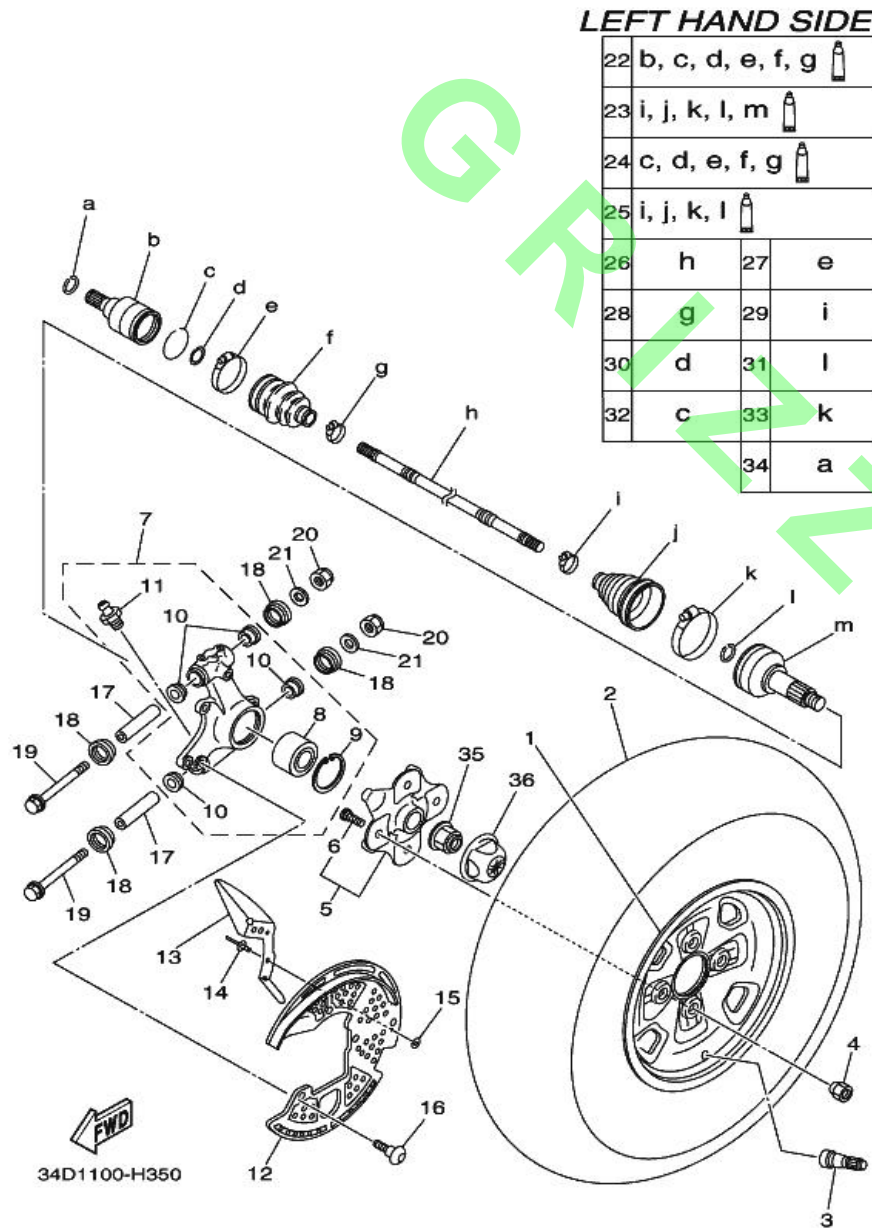
Ref. No.	Part No.	Description	Remarks
1	3B4-25390-00	REAR WHEEL COMP.	1 UR PDG,RTR,DPBSN
2	94110-12012	TIRE (AT25X10-12** KT425T/L N)	1 DUNLOP
3	93900-00030	VALVE, RIM (TR412)	1 TAIHEIYO
4	90179-10020	NUT	4
5	3B4-25111-10	HUB, FRONT	1
6	90114-10014	. BOLT, SERRATION	4
7	3B4-2532F-00	REAR KNUCKLE ASSY.,2	1
8	93305-00602	. BEARING	1
9	99009-55500	. CIRCLIP	1
10	90381-17067	. BUSH, SOLID	4
11	93700-06004	. NIPPLE, GREASE	2
12	3B4-2515A-00	RING, WHEEL 2	1
13	3B4-2539G-00	PLATE 2	1
14	90267-47187	RIVET, BLIND (4.7X16.4 BLACK)	2
15	90201-04027	WASHER, PLATE	2
16	90154-06014	SCREW, BINDING	3
17	5KM-23448-00	SPACER	2
18	2NL-23517-00	COVER, THRUST 1	4
19	90105-10185	BOLT, FLANGE	2
20	90185-10012	NUT, SELF-LOCKING	2
21	90201-10035	WASHER, PLATE	2
22	28P-2530V-00	DOUBLE OFF SET JOINT	1
23	28P-2510F-00	BALL JOINT SET	1
24	28P-2510H-00	BOOT SET(DOUBLE OFFSET JOINT)	1
25	28P-2510G-00	BOOT SET (BALL JOINT)	1
26	28P-2518E-10	SHAFT	1
27	3B4-2511H-00	BOOT BAND(DOUBLE OFFSET JOINT)	1

Fig. 36 REAR WHEEL 2



Ref. No.	Part No.	Description	Quantity	Remarks
	28 3B4-2512G-00	BOOT BAND (SMALL)	1	
	29 28P-2512G-00	BOOT BAND (SMALL)	1	
	30 3B4-2512J-00	SNAP RING	1	
	31 3B4-2512H-00	CIRCLIP	1	
	32 3B4-25182-00	CIRCLIP	1	
	33 28P-2511H-00	BOOT BAND(DOUBLE OFFSET JOINT)	1	
	34 3B4-2536E-00	CLIP, SPRING	1	
	35 90179-20016	NUT	1	
	36 3B4-2512A-00	CAP, WHEEL	1	

Fig. 35 REAR WHEEL







Ref. No.	Part No.	Description	Remarks
1	3B4-25390-00	REAR WHEEL COMP.	1 UR PDG,RTR,DPBSN
2	94110-12012	TIRE (AT25X10-12** KT425T/L N)	1 DUNLOP
3	93900-00030	VALVE, RIM (TR412)	1 TAIHEIYO
4	90179-10020	NUT	4
5	3B4-25111-10	HUB, FRONT	1
6	90114-10014	. BOLT, SERRATION	4
7	3B4-2530F-00	REAR KNUCKLE ASSY	1
8	93305-00602	. BEARING	1
9	99009-55500	. CIRCLIP	1
10	90381-17067	. BUSH, SOLID	4
11	93700-06004	. NIPPLE, GREASE	2
12	3B4-2514A-00	RING, WHEEL 1	1
13	3B4-2539F-00	PLATE 1	1
14	90267-47187	RIVET, BLIND (4.7X16.4 BLACK)	2
15	90201-04027	WASHER, PLATE	2
16	90154-06014	SCREW, BINDING	3
17	5KM-23448-00	SPACER	2
18	2NL-23517-00	COVER, THRUST 1	4
19	90105-10185	BOLT, FLANGE	2
20	90185-10012	NUT, SELF-LOCKING	2
21	90201-10035	WASHER, PLATE	2
22	28P-2530V-00	DOUBLE OFF SET JOINT	1
23	28P-2510F-00	BALL JOINT SET	1
24	28P-2510H-00	BOOT SET(DOUBLE OFFSET JOINT)	1
25	28P-2510G-00	BOOT SET (BALL JOINT)	1
26	28P-2518E-10	SHAFT	1
27	3B4-2511H-00	BOOT BAND(DOUBLE OFFSET JOINT)	1

Fig. 35 REAR WHEEL

Ref. No.	Part No.	Description		Remarks
	28 3B4-2512G-00	BOOT BAND (SMALL)	1	
	29 28P-2512G-00	BOOT BAND (SMALL)	1	
	30 3B4-2512J-00	SNAP RING	1	
	31 3B4-2512H-00	CIRCLIP	1	
	32 3B4-25182-00	CIRCLIP	1	
	33 28P-2511H-00	BOOT BAND(DOUBLE OFFSET JOINT)	1	
	34 3B4-2536E-00	CLIP, SPRING	1	
	35 90179-20016	NUT	1	
	36 3B4-2512A-00	CAP, WHEEL	1	

LEFT HAND SIDE

22	b, c, d, e, f, g	
23	i, j, k, l, m	
24	c, d, e, f, g	
25	i, j, k, l	
26	h	27 e
28	g	29 i
30	d	31 l
32	c	33 k
		34 a

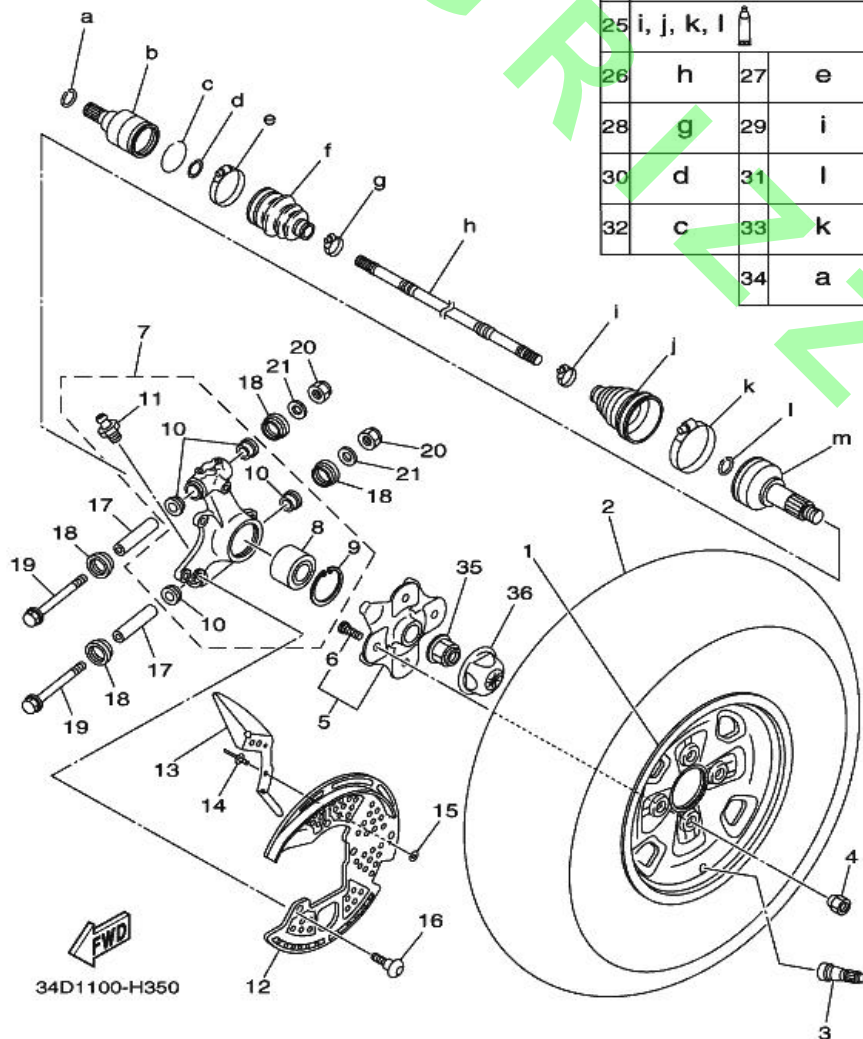
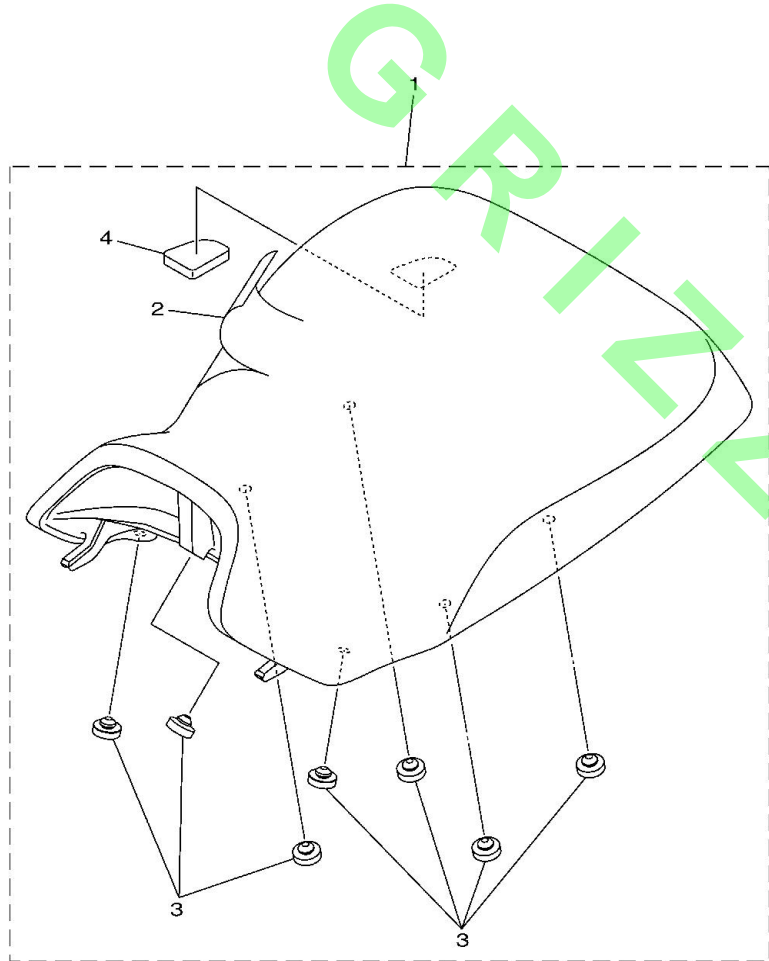


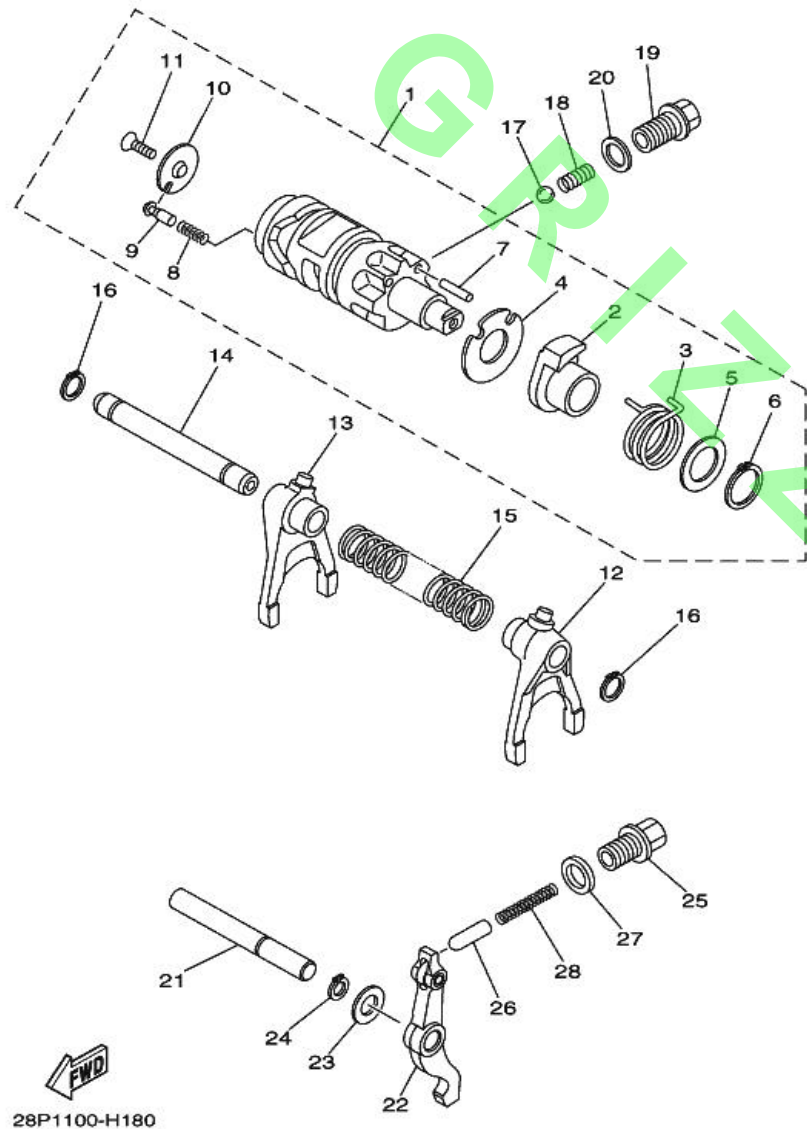
Fig. 31 SEAT

Ref. No.	Part No.	Description	1	Remarks
1	3B4-24710-01	SINGLE SEAT ASSY	1	
2	3B4-2470F-00	. SEAT COVER COMP.	1	
3	22W-24741-00	. PAD, SEAT	7	
4	3B4-24725-00	. SPACER 1	1	
<hr/>				
<hr/>				
<hr/>				
<hr/>				
<hr/>				
<hr/>				
<hr/>				
<hr/>				
<hr/>				
<hr/>				
<hr/>				



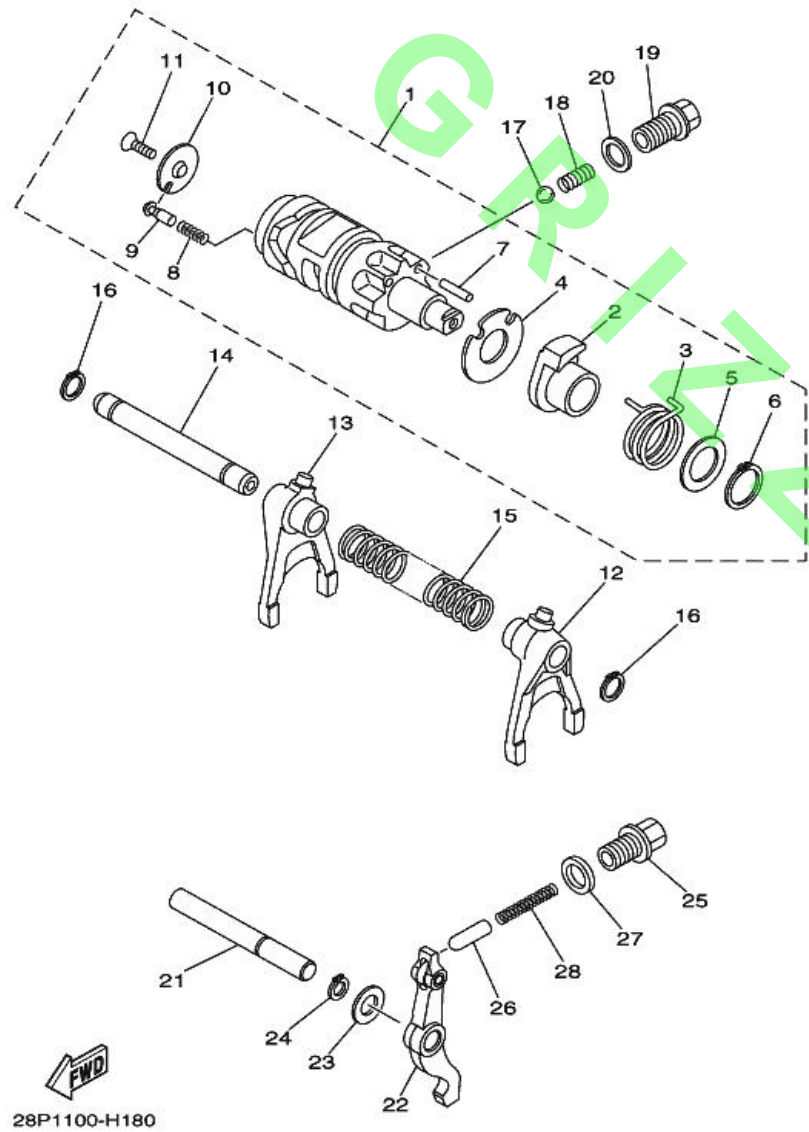
3B41100-F310

Fig. 18 SHIFT CAM & FORK



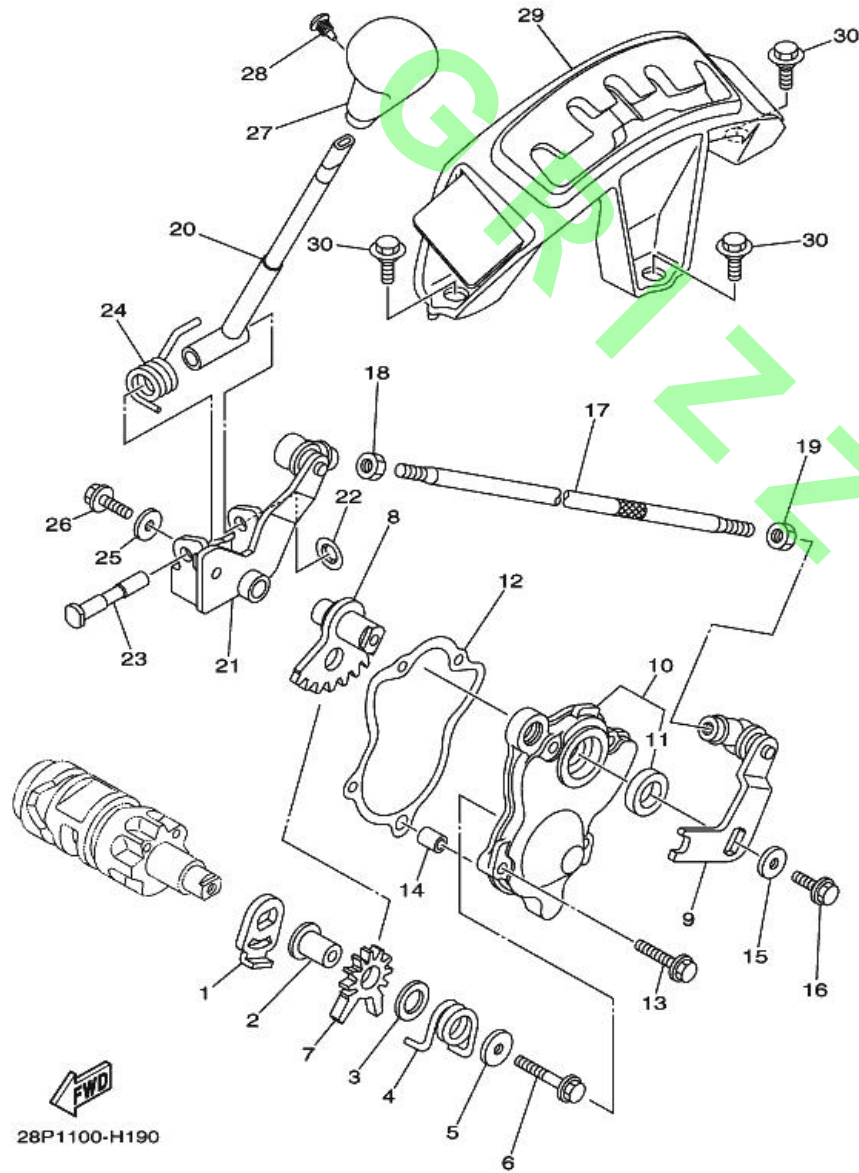
Ref. No.	Part No.	Description		Remarks
1	3B4-18540-20	SHIFT CAM ASSY	1	
2	5KM-18171-00	. CAM, LEVER	1	
3	90508-32132	. SPRING, TORSION	1	
4	3B4-18331-00	. PLATE, SHIFT CAM	1	
5	90201-20792	. WASHER, PLATE	1	
6	93410-20038	. CIRCLIP	1	
7	93604-18100	. PIN, DOWEL	1	
8	90501-06022	. SPRING, COMPRESSION	1	
9	5KM-18542-00	. POINT, NEUTRAL	1	
10	4UN-18566-00	. PLATE, SIDE 2	1	
11	90149-05016	. SCREW	1	
12	3B4-18511-10	FORK, SHIFT 1	1	
13	3B4-18512-10	FORK, SHIFT 2	1	
14	3B4-18531-00	BAR, SHIFT FORK GUIDE 1	1	
15	90501-140A2	SPRING, COMPRESSION	1	
16	99009-12400	CIRCLIP	2	
17	93503-08007	BALL	1	
18	90501-10353	SPRING, COMPRESSION	1	
19	90105-14003	BOLT, FLANGE	1	
20	90430-14194	GASKET	1	
21	3B4-18318-00	SHAFT, SHIFTER	1	
22	28P-18140-00	STOPPER LEVER ASSY	1	
23	90201-127J6	WASHER, PLATE	1	
24	99009-12400	CIRCLIP	1	
25	90109-14002	BOLT	1	
26	1J7-18547-00	STOPPER, CAM	1	
27	90430-14043	GASKET	1	

Fig. 18 SHIFT CAM & FORK



Ref. No.	Part No.	Description	1	Remarks
	28 90501-090A1	SPRING, COMPRESSION	1	

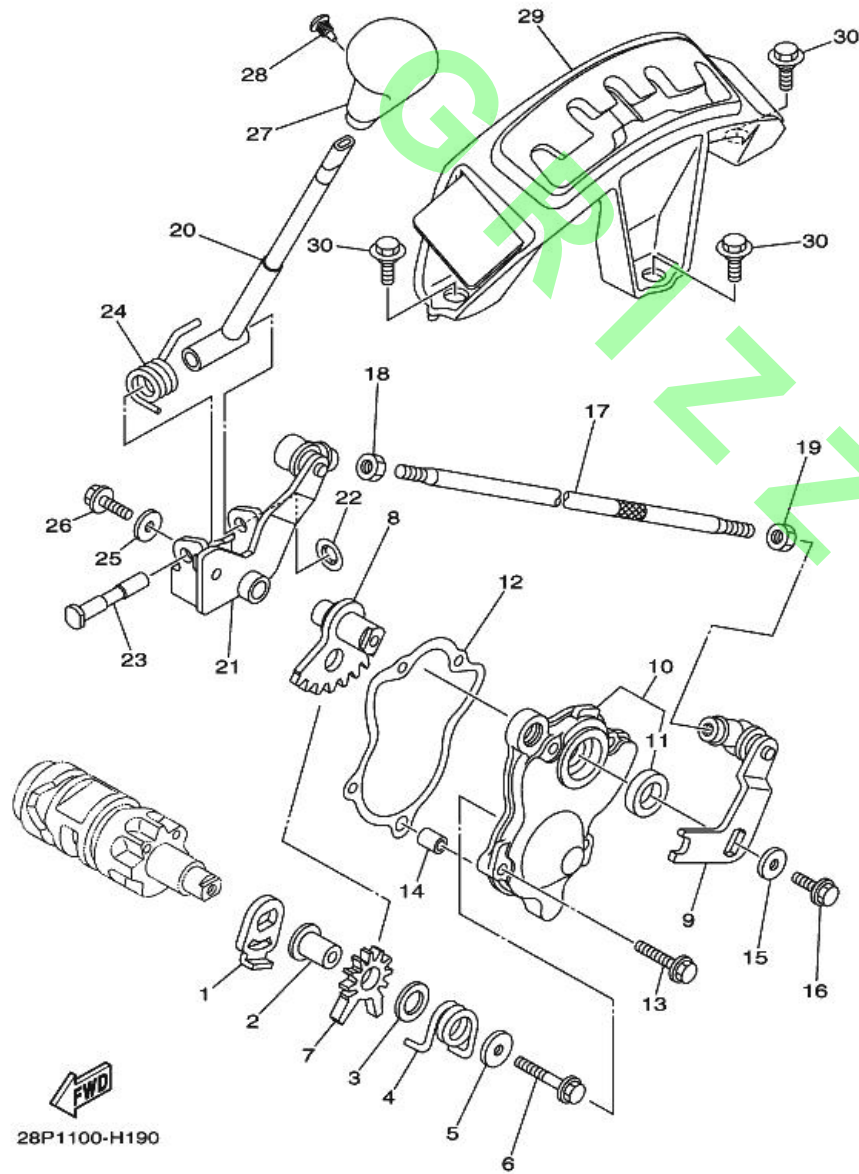
Fig. 19 SHIFT SHAFT



28P1100-H190

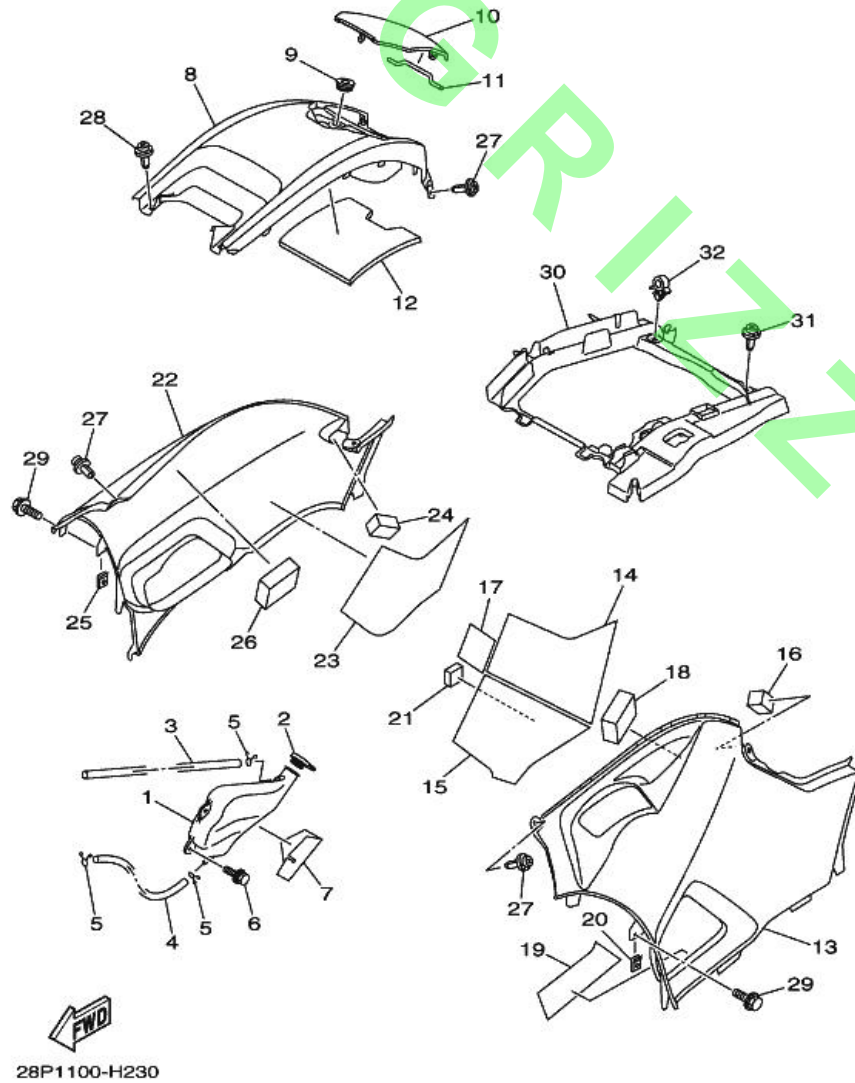
Ref. No.	Part No.	Description	Quantity	Remarks
1	4SH-18198-00	LEVER	1	
2	90387-0613B	COLLAR	1	
3	90201-132G5	WASHER, PLATE	1	
4	90508-32117	SPRING, TORSION	1	
5	90201-06036	WASHER, PLATE	1	
6	95812-06035	BOLT, FLANGE	1	
7	5KM-18191-00	LEVER	1	
8	3B4-18103-10	SHIFT SHAFT COMP.	1	
9	28P-18104-00	SHIFT GUIDE COMP.	1	
10	3B4-18380-00	SHIFTER BRKT. ASSY	1	
11	93102-15212	. OIL SEAL	1	
12	3B4-18146-00	GASKET	1	
13	95022-06020	BOLT, FLANGE	4	
14	99530-08012	PIN, DOWEL	1	
15	90201-06036	WASHER, PLATE	1	
16	90105-06176	BOLT, FLANGE	1	
17	28P-18115-00	ROD, SHIFT	1	
18	90170-06228	NUT(COUNTER CLOCKWISE)	1	
19	95304-06700	NUT	1	
20	3B4-18190-20	LEVER COMP. 1	1	
21	3B4-18169-20	ARM, SHIFT 2	1	
22	90183-080A1	NUT, SPRING	1	
23	3B4-18125-00	SHAFT, SHIFT	1	
24	3B4-18196-00	SPRING, RETURN	1	
25	90201-06036	WASHER, PLATE	1	
26	95812-06016	BOLT, FLANGE	1	
27	28P-18174-00	KNOB, SHIFT LEVER	1	

Fig. 19 SHIFT SHAFT



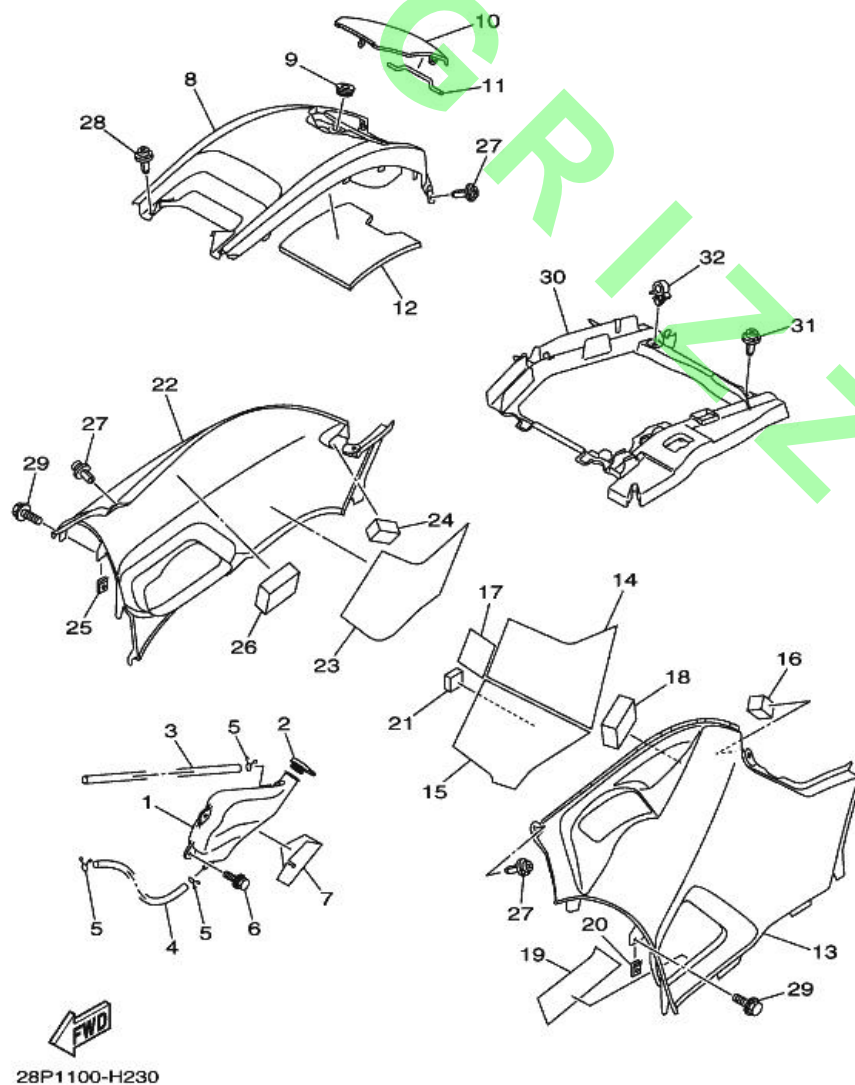
Ref. No.	Part No.	Description		Remarks
	28 90269-05055	RIVET	1	
	29 3B4-18160-00	SHIFT GUIDE ASSY	1	
	30 90109-06172	BOLT	3	

Fig. 23 SIDE COVER



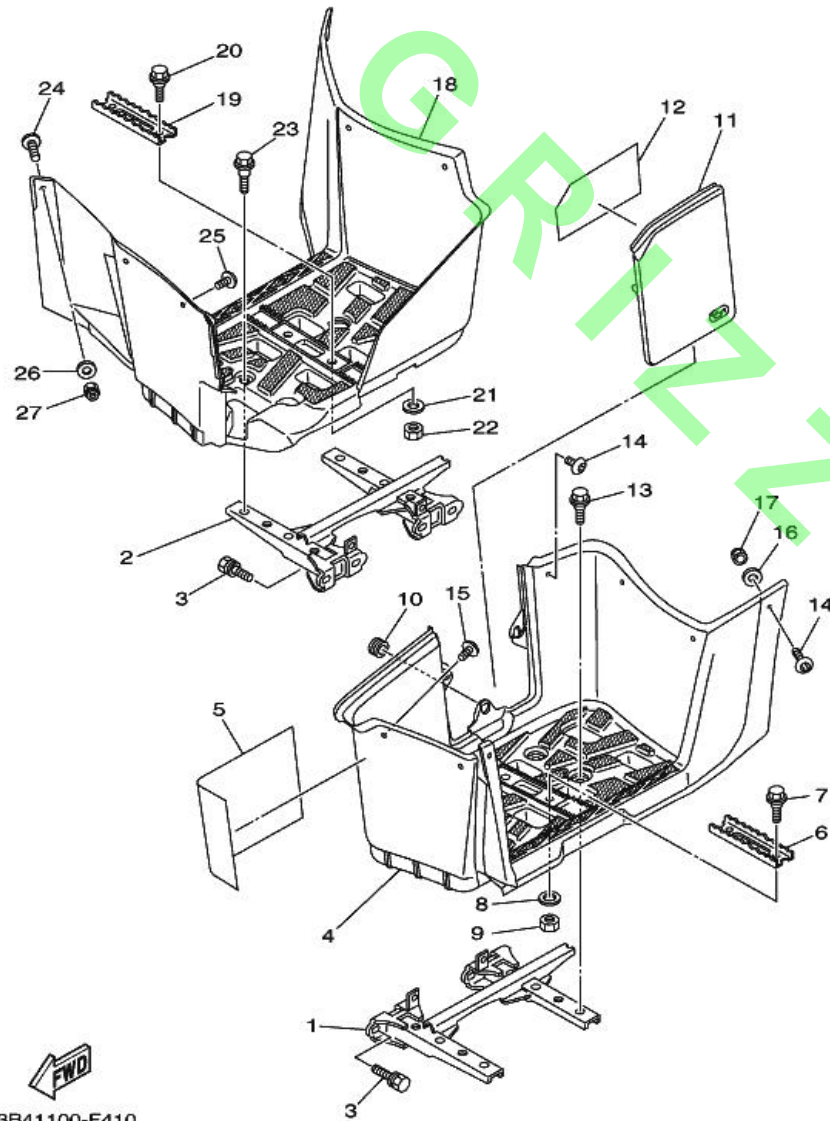
Ref. No.	Part No.	Description		Remarks
1	3B4-21871-00	TANK, RECOVERY	1	
2	1S3-21875-00	CAP	1	
3	90445-09117	HOSE (L540)	1	
4	90445-09110	HOSE (L420)	1	
5	90467-08003	CLIP	3	
6	90119-06152	BOLT, WITH WASHER	2	
7	3B4-2176E-00	PLATE	1	
8	3B4-2171A-00	COVER, TOP	1	
9	90480-01558	GROMMET	1	
10	3B4-2177B-00	LID, COVER	1	
11	3B4-2177K-00	PIN, HINGE	1	
12	3B4-21747-00	DAMPER	1	
13	3B4-21711-00	COVER, SIDE 1	1	UR FOR PDG
14	3B4-2174A-00	INSULATOR, SIDE COVER	1	
15	3B4-2173N-00	SEAL 4	1	
16	3B4-21717-00	DAMPER	1	
17	1S3-82123-00	SEAT, BATTERY	1	
18	3B4-2174Y-00	DAMPER	1	
19	3B4-2173M-00	SEAL 3	1	
20	90183-06053	NUT, SPRING	1	
21	3B4-2177N-00	DAMPER, LOCATING 4	1	
22	3B4-21721-00	COVER, SIDE 2	1	UR FOR PDG
23	3B4-2174T-00	INSULATOR, SIDE COVER 2	1	
24	3B4-21717-00	DAMPER	1	
25	90183-06053	NUT, SPRING	1	
26	3B4-2174Y-00	DAMPER	1	
27	90269-07012	RIVET	4	

Fig. 23 SIDE COVER



Ref. No.	Part No.	Description		Remarks
	28	90269-06081	RIVET	2
	29	90119-06152	BOLT, WITH WASHER	2
	30	3B4-2414H-00	DAMPER, PLATE 1	1
	31	90269-07010	RIVET	1
	32	90464-16012	CLAMP	1

Fig. 41 STAND & FOOTREST



Ref. No.	Part No.	Description		Remarks
1	3B4-27452-00	BRACKET, FOOTREST 1	1	
2	3B4-27462-00	BRACKET, FOOTREST 2	1	
3	90119-10044	BOLT, WITH WASHER	8	
4	3B4-27453-01	COVER 1	1	
5	3B4-21732-00	SEAL 1	1	
<hr/>				
6	5GH-2741A-10	ARM 1	1	
7	90109-06214	BOLT	2	
8	90201-06033	WASHER, PLATE	2	
9	95312-06600	NUT	2	
10	90480-14532	GROMMET	1	
<hr/>				
11	3B4-28239-00	COVER 3	1	
12	3B4-21735-00	SEAL 2	1	
13	90109-06172	BOLT	4	
14	90110-06200	BOLT, HEXAGON SOCKET HEAD	6	
15	90111-06086	BOLT,HEX. SOCKET BUTTON	1	
<hr/>				
16	90201-06078	WASHER, PLATE	6	
17	95702-06300	NUT, NYLON	6	
18	3B4-27463-01	COVER 2	1	
19	5GH-2741A-10	ARM 1	1	
20	90109-06214	BOLT	2	
<hr/>				
21	90201-06033	WASHER, PLATE	2	
22	95312-06600	NUT	2	
23	90109-06172	BOLT	4	
24	90110-06200	BOLT, HEXAGON SOCKET HEAD	5	
25	90111-06086	BOLT,HEX. SOCKET BUTTON	1	
<hr/>				
26	90201-06078	WASHER, PLATE	6	
27	95702-06300	NUT, NYLON	6	

Fig. 14 STARTER CLUTCH

Ref. No.	Part No.	Description	Remarks
1	3B4-15515-00	GEAR 3 (49T)	1
2	90201-286K9	WASHER, PLATE (T1.0)	1
3	3B4-15522-00	SHAFT 2	1
4	3B4-15517-00	GEAR, IDLER 2 (25T/15T)	1
5	1S3-15560-00	DAMPER ASSY	1
6	90380-10002	BUSH, SOLID	2
7	5KM-15590-00	STARTER ONE-WAY ASSY	1
8	90149-08018	SCREW	3

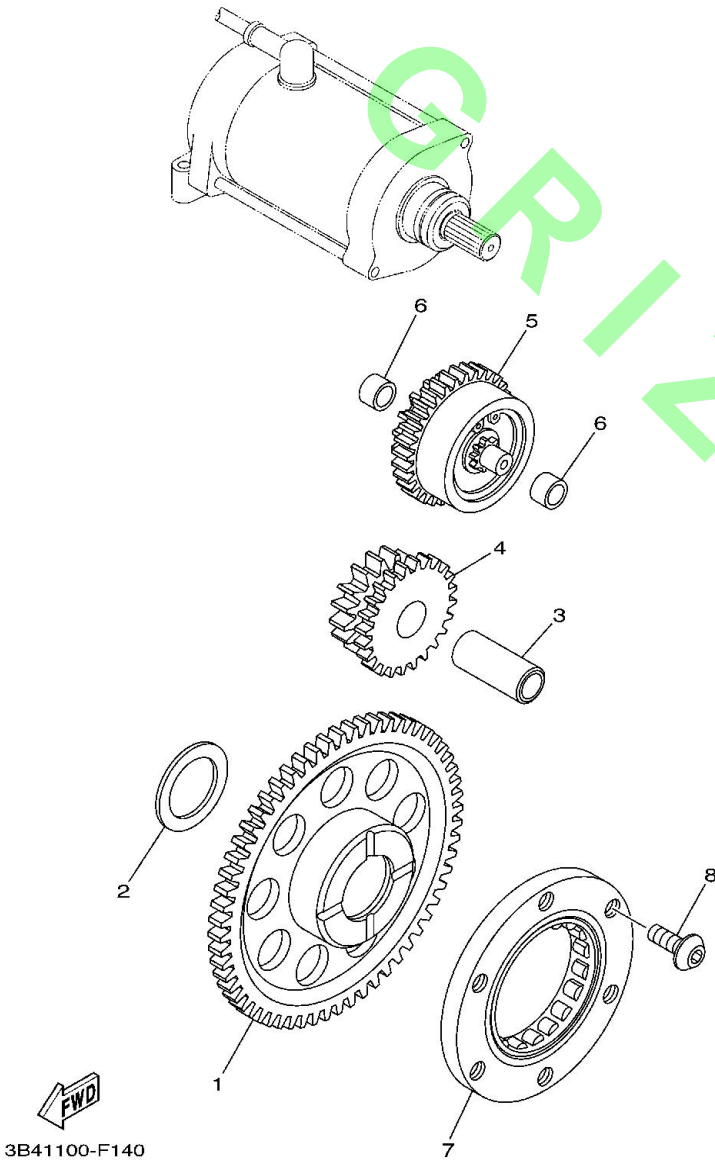


Fig. 44 STARTING MOTOR

Ref. No.	Part No.	Description		Remarks
1	28P-81890-00	MOTOR ASSY	1	
2	4B5-81840-00	. BRUSH HOLDER ASSY	1	
3	3TB-81847-00	. O-RING	3	
4	1FK-81847-00	. O-RING	1	
5	11H-81844-00	. GASKET	2	
6	28P-81826-00	. BOLT	2	
7	28P-81815-00	CORD, STARTER MOTOR	1	
8	4B5-81871-00	. CAP	1	
9	4XV-8182A-00	NUT	2	
10	95022-06030	BOLT, FLANGE	2	

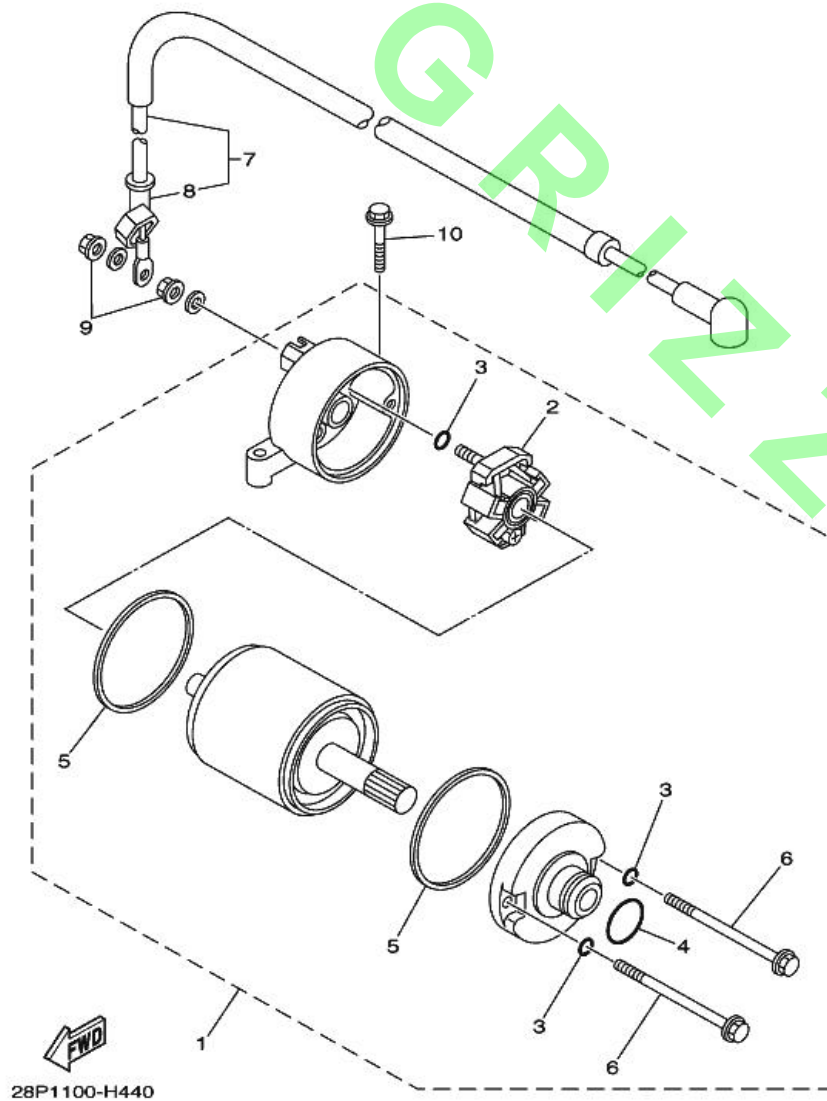
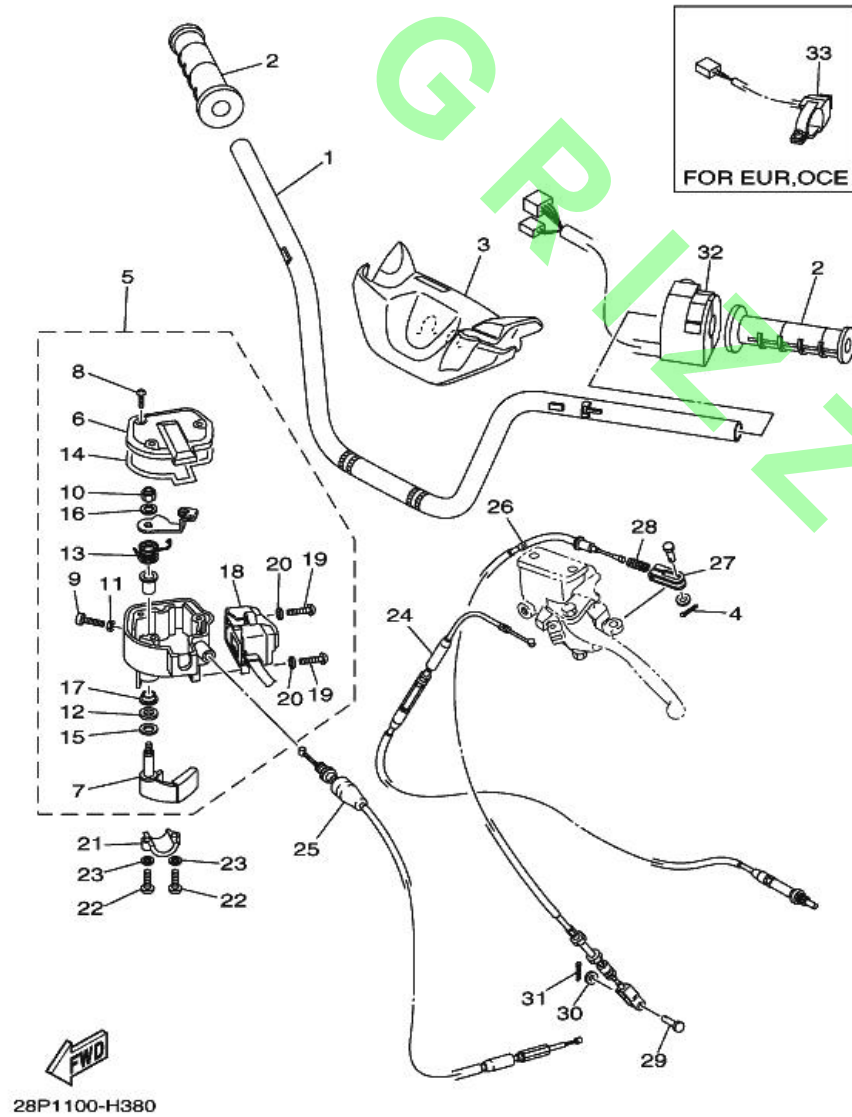
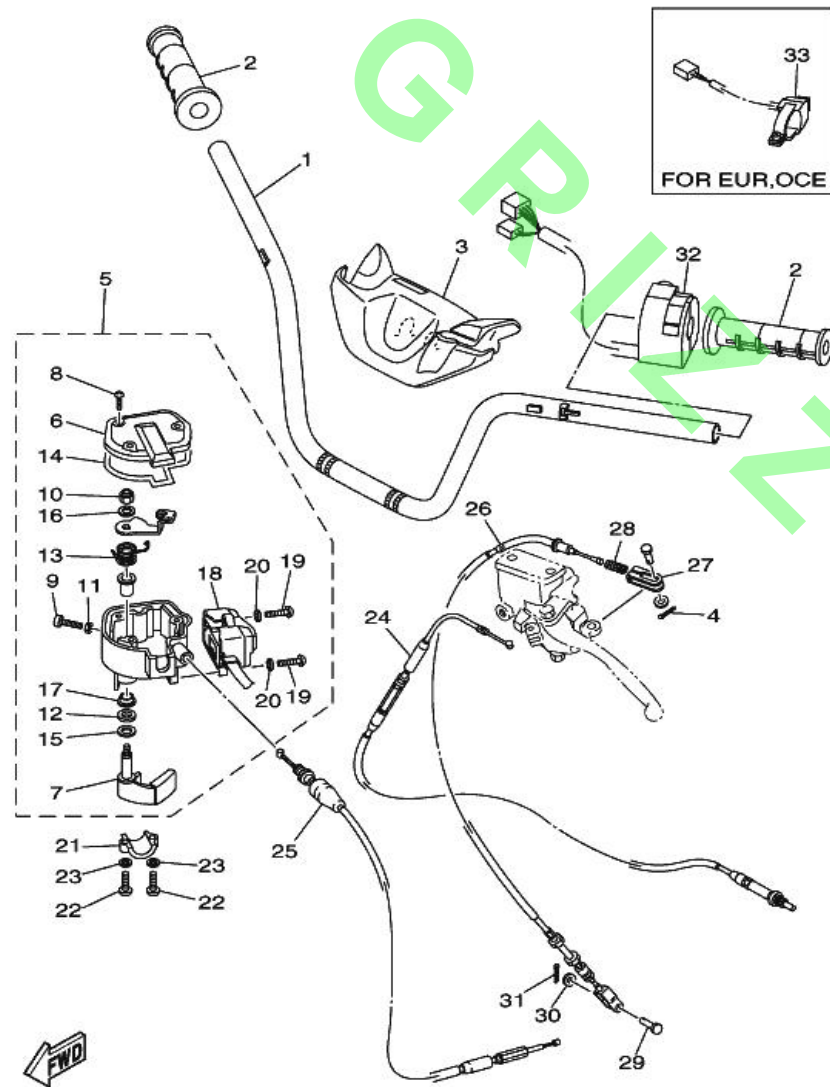


Fig. 38 STEERING HANDLE & CABLE



Ref. No.	Part No.	Description		Remarks
1	3B4-26111-20	HANDLEBAR	1	
2	5LP-26241-00	GRIP	2	
3	3B4-26124-00	PROTECTOR, HANDLEBAR	1	
4	91401-16012	PIN, COTTER	1	
5	28P-26250-00	THROTTLE LEVER ASSY	1	
<hr/>				
6	28P-2628F-00	. CAP, GEAR	1	
7	28P-2625G-00	. LEVER, THROTTLE	1	
8	90149-04278	. SCREW	3	
9	98507-05020	. SCREW, PAN HEAD	1	
10	95607-05100	. NUT, U	1	
<hr/>				
11	95307-05700	. NUT	1	
12	93104-09025	. OIL SEAL	1	
13	1NV-26304-00	. SPRING	1	
14	28P-2628G-00	. GASKET	1	
15	1NV-26129-00	. WASHER	1	
<hr/>				
16	1NV-26398-00	. WASHER	1	
17	1NV-2625K-00	. COLLAR	1	
18	5KM-83976-20	. SWITCH, HANDLE 1	1	
19	98507-04016	. SCREW, PAN HEAD	2	
20	92907-04600	. WASHER	2	
<hr/>				
21	4V4-82913-00	HOLDER, LEVER LOWER 1	1	
22	98502-05020	SCREW, PAN HEAD	2	
23	92902-05600	WASHER, PLATE	2	
24	3B4-2637F-10	CABLE, CONTROL 2	1	
25	3B4-26311-20	CABLE, THROTTLE 1	1	
<hr/>				
26	3B4-26341-00	WIRE, BRAKE 1	1	
27	3B4-26347-00	JOINT, CABLE	1	

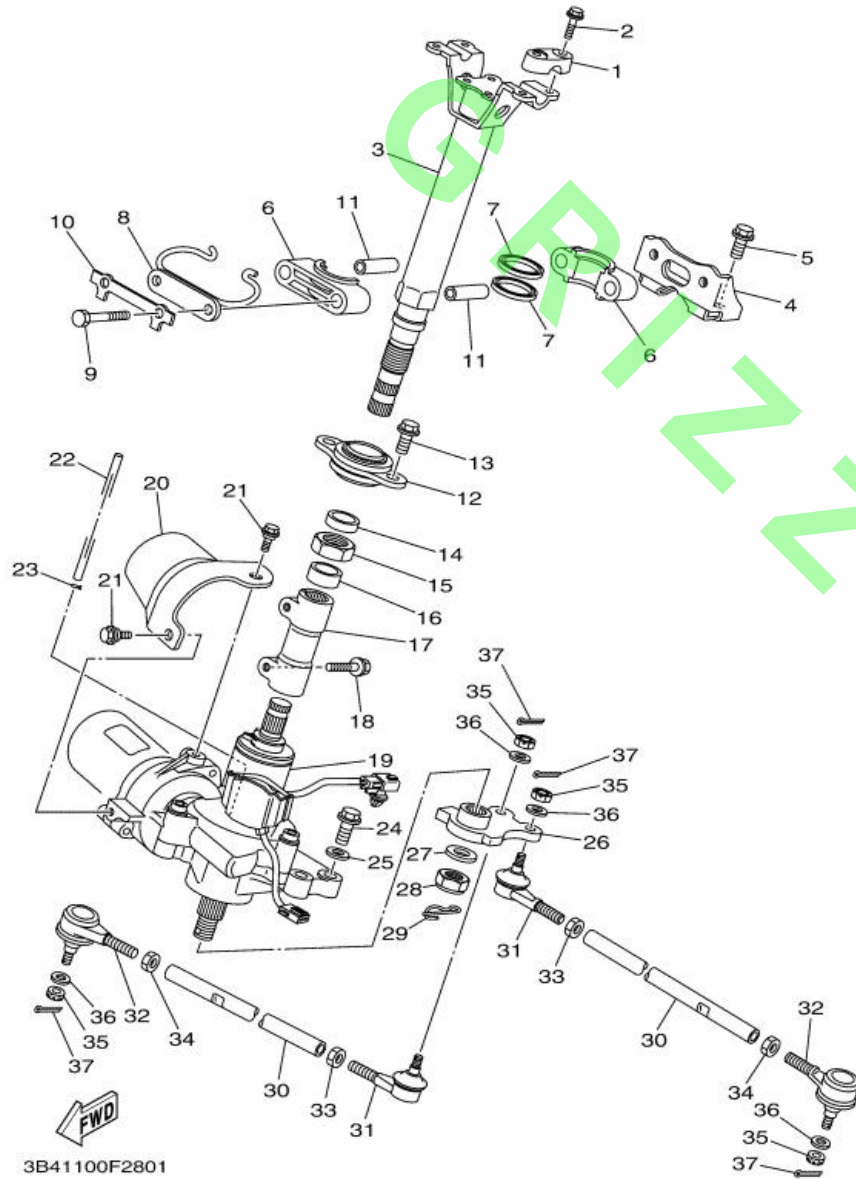
Fig. 38 STEERING HANDLE & CABLE



28P1100-H380

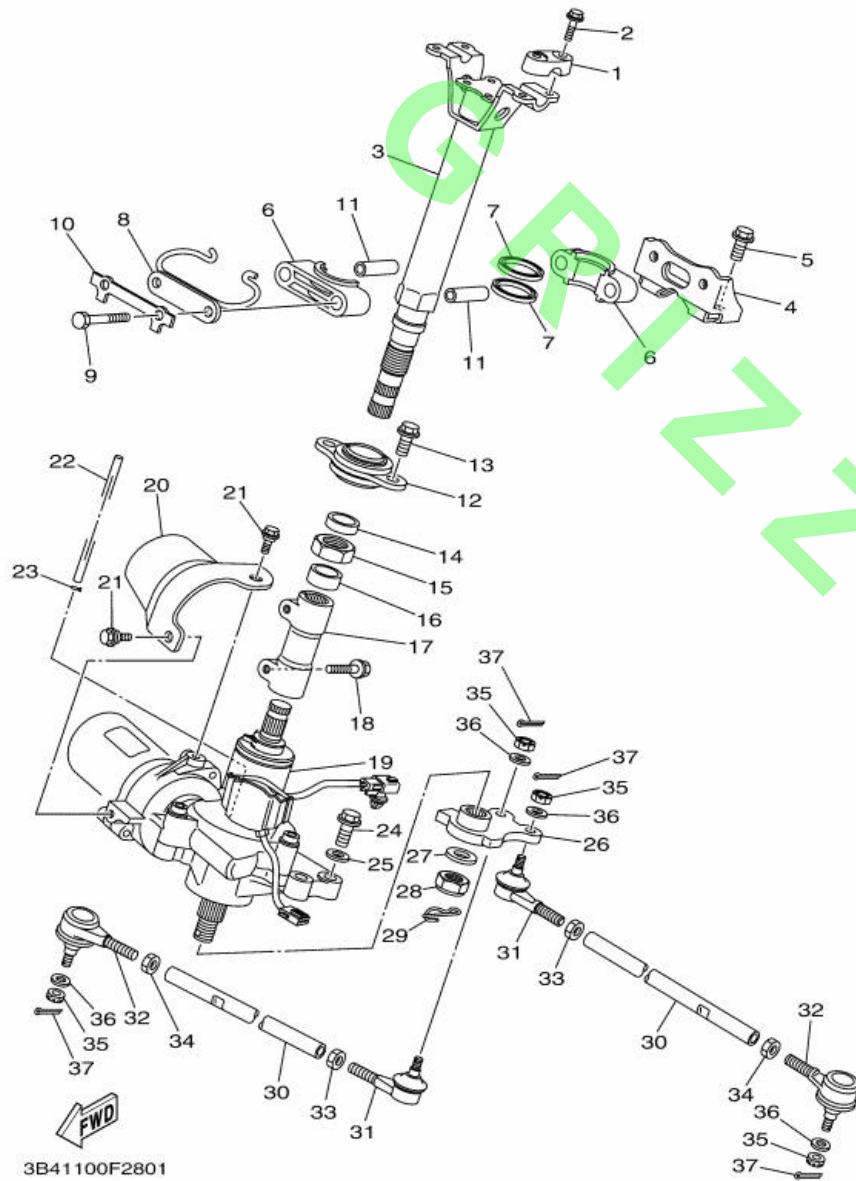
Ref. No.	Part No.	Description		Remarks
	28 90501-08665	SPRING, COMPRESSION	1	
	29 90240-06076	PIN, CLEVIS	1	
	30 92907-06200	WASHER	1	
	31 91401-20012	PIN, COTTER	1	
	32 28P-83972-00	SWITCH, HANDLE 4	1	
<hr/>				
<hr/>				
<hr/>				
<hr/>				
<hr/>				
<hr/>				
<hr/>				
<hr/>				
<hr/>				
<hr/>				

Fig. 28 STEERING



Ref. No.	Part No.	Description		Remarks
1	8K1-23814-00	HOLDER, HANDLE	2	
2	95822-08030	BOLT, FLANGE	4	
3	3B4-23813-00	COLUMN, STEERING 2	1	
4	3B4-22517-00	SUPT., STRG. COLUMN	1	
5	90105-10204	BOLT, FLANGE	2	
6	1UY-23812-00	PLANE BEARING, STEERING	2	
7	93112-31011	OIL SEAL	2	
8	5GH-23868-00	BRACKET, STEERING LOWER	1	
9	97022-08060	BOLT	2	
10	1UY-23894-01	WASHER, LOCK 1	1	
11	90387-090R0	COLLAR	2	
12	3B4-23875-10	BEARING, STEERING LOWER	1	
13	90105-10204	BOLT, FLANGE	2	
14	90387-22014	COLLAR	1	
15	90185-22008	NUT, SELF-LOCKING	1	
16	90387-22591	COLLAR	1	
17	3B4-2381B-00	JOINT	1	
18	90119-08106	BOLT, WITH WASHER	2	
19	3B4-238B0-10	POWER STRG. ACTUATOR ASSY	1	
20	3B4-238B6-00	COVER, MOTOR	1	
21	90109-06172	BOLT	2	
22	90445-07018	HOSE (L1400)	1	
23	90467-07029	CLIP	1	
24	90105-08153	BOLT, FLANGE	4	
25	90201-08048	WASHER, PLATE	4	
26	3B4-23816-00	ARM, PITMAN	1	
27	90201-16021	WASHER, PLATE	1	

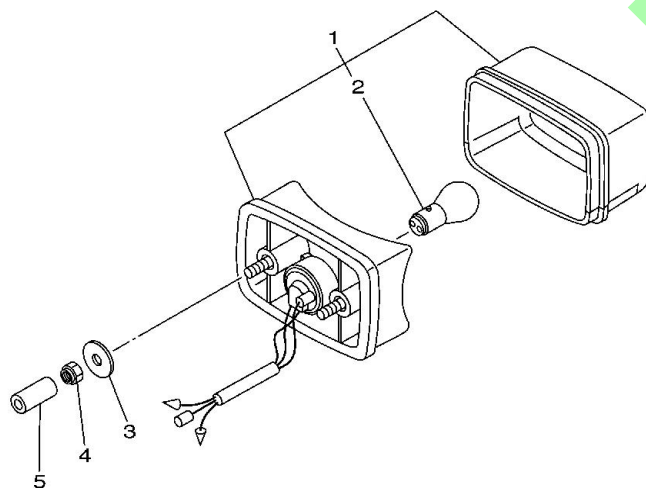
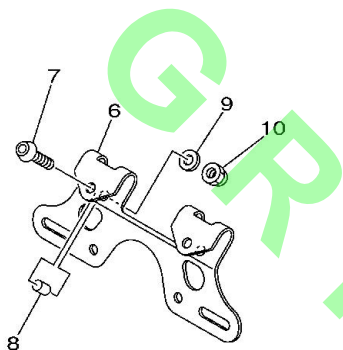
Fig. 28 STEERING



Ref. No.	Part No.	Description	Quantity	Remarks
	28 95612-16100	NUT, U	1	
	29 91402-20025	PIN, COTTER	1	
	30 5KM-23831-00	ROD, TIE	2	
	31 1UY-23841-01	JOINT, UNIVERSAL 1	2	
	32 1UY-23845-01	JOINT, UNIVERSAL 2	2	
<hr/>				
	33 95302-10700	NUT	2	
	34 90170-10010	NUT	2	(L.H. THREAD)
	35 90171-10001	NUT, CASTLE	4	
	36 90209-10229	WASHER	4	
	37 91401-20020	PIN, COTTER	4	
<hr/>				
<hr/>				
<hr/>				
<hr/>				
<hr/>				

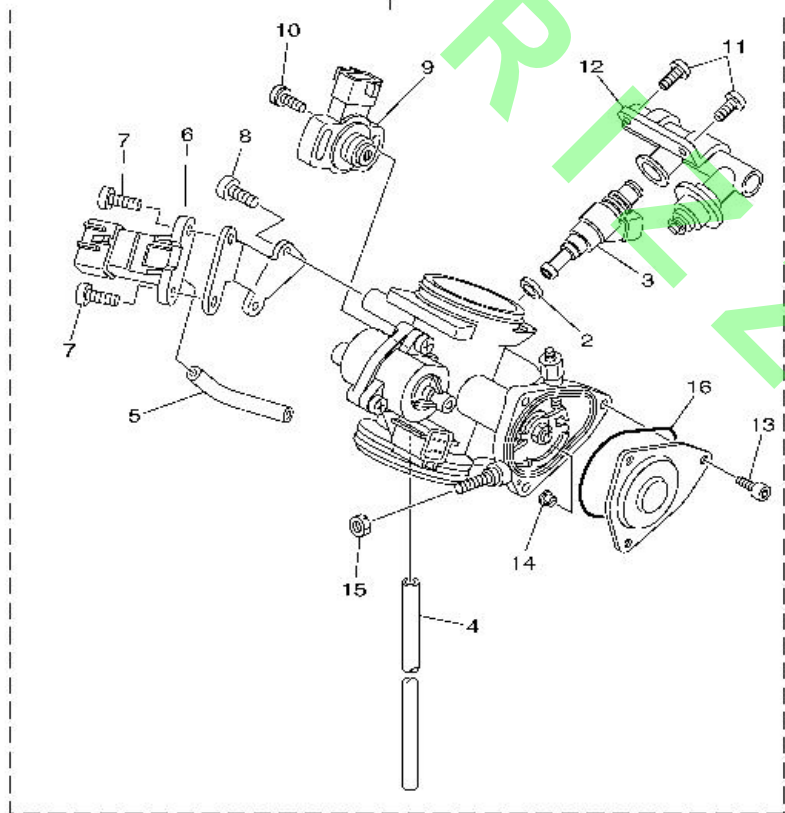
Fig. 47 TAILLIGHT

Ref. No.	Part No.	Description		Remarks
1	3FA-84710-00	TAILLIGHT UNIT ASSY	1	
2	1A2-84714-41	. BULB (12V-21/5W)	1	
3	90201-06097	WASHER, PLATE	2	
4	95702-06300	NUT, NYLON	2	
5	90445-09220	HOSE (L30)	1	
6	3B4-84751-00	BRACKET, LICENSE	1	
7	92012-06030	BOLT, BUTTON HEAD	2	
8	90387-065G1	COLLAR	2	
9	92902-06600	WASHER, PLATE	2	
10	95302-06800	NUT, CROWN	2	



3B41100-F480

Fig. 10 THROTTLE BODY ASSY 1

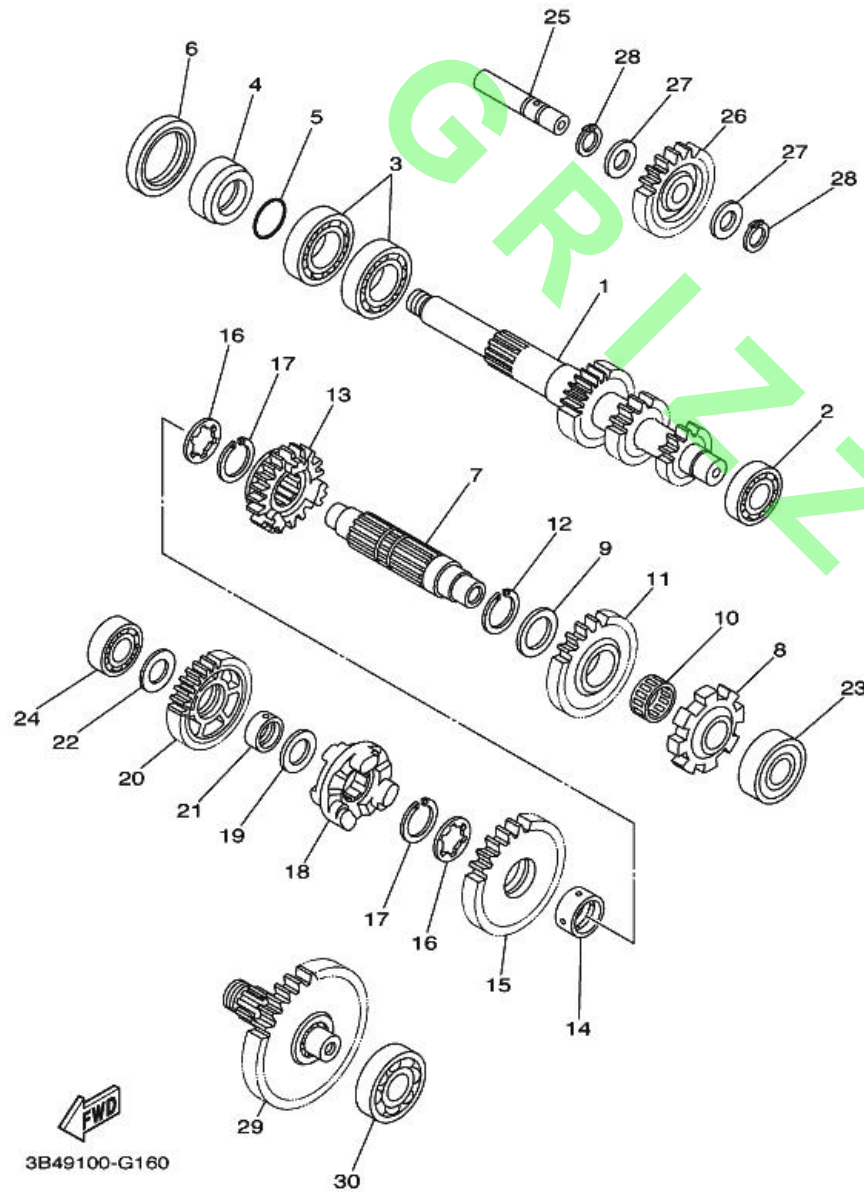


Ref. No.	Part No.	Description		Remarks
	1 43P-13750-00	THROTTLE BODY ASSY	1	
	2 8FP-13556-00	. GASKET, MANIFOLD	1	
	3 3B4-13761-00	. INJECTOR	1	
	4 28P-13543-00	. HOSE, AIR	1	
	5 5JW-14348-00	. PIPE 1	1	
	6 1C7-82380-00	. SENSOR, PRESSURE	1	
	7 92507-06010	. SCREW, PAN HEAD	2	
	8 98507-05010	. SCREW, PAN HEAD	2	
	9 3B4-85885-00	. THROTTLE SENSOR ASSY	1	
	10 8CC-14216-10	. SCREW	2	
	11 98507-06012	. SCREW, PAN HEAD	2	
	12 3B4-13160-00	. DELIVERY PIPE ASSY 1	1	
	13 91312-04006	. BOLT	3	
	14 1UY-14155-00	. GUIDE, CABLE	1	
	15 1S3-14161-00	. NUT, CABLE ADJUSTING	1	
	16 5LP-14147-00	. O-RING	1	



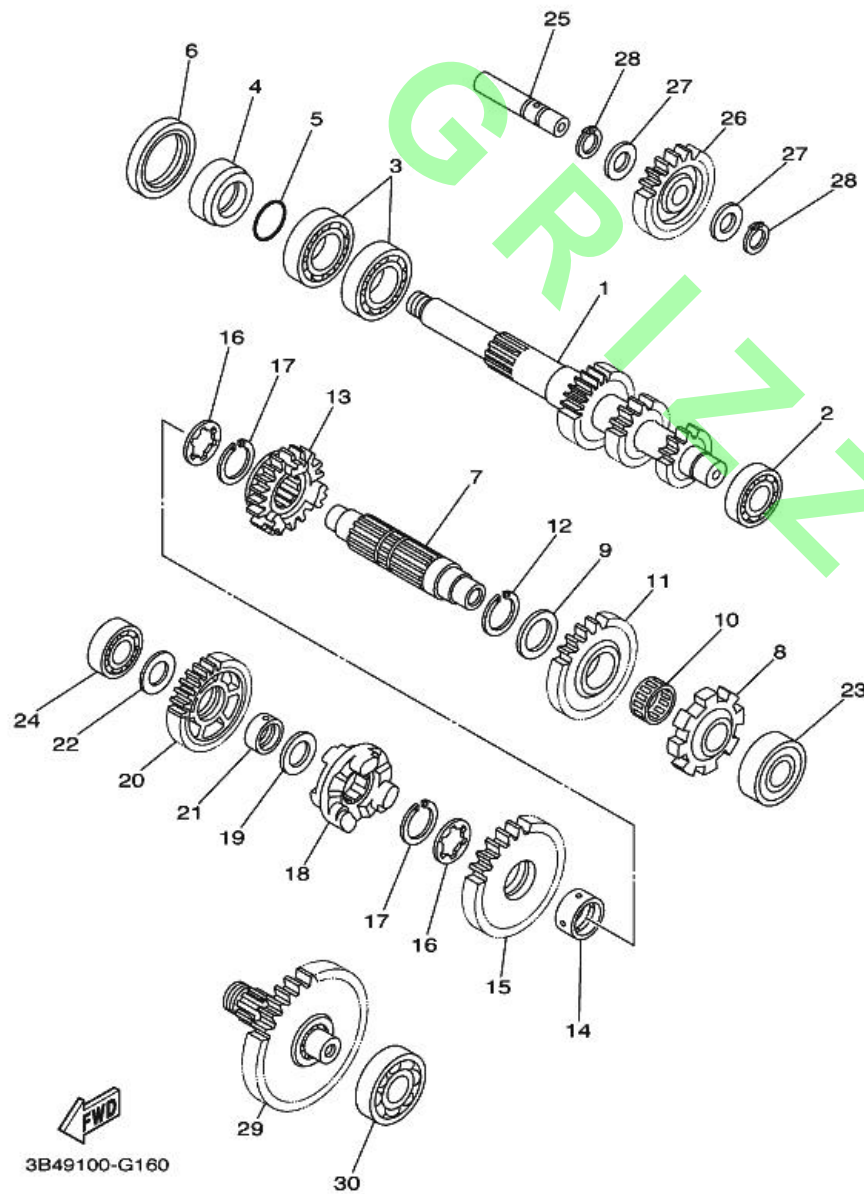
43P1100-H100

Fig. 16 TRANSMISSION



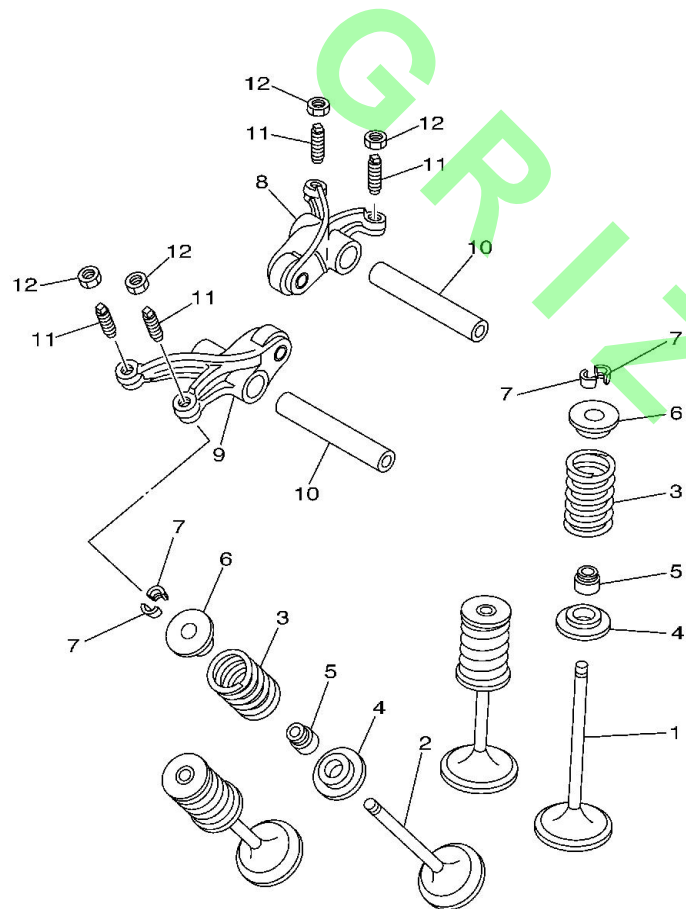
Ref. No.	Part No.	Description		Remarks
1	3B4-17681-10	SHAFT, SECONDARY	1	
2	93306-00426	BEARING	1	
3	93306-07801	BEARING	2	
4	90387-26001	COLLAR	1	
5	93210-26001	O-RING	1	
6	93102-42004	OIL SEAL	1	
7	3B4-17421-00	AXLE, DRIVE	1	
8	3B4-17473-00	STOPPER	1	
9	90201-25290	WASHER, PLATE	1	
10	93310-32590	BEARING	1	
11	3B4-17253-00	GEAR, REVERSE WHEEL 2 (28T)	1	
12	93440-25084	CIRCLIP	1	
13	3B4-17582-00	GEAR, MIDDLE DRIVE (21T)	1	
14	90387-250R3	COLLAR	1	
15	3B4-17233-00	GEAR, LOW WHEEL (31T)	1	
16	90214-22007	WASHER, CLAW	2	
17	93440-25084	CIRCLIP	2	
18	3B4-17285-00	CLUTCH, DOG	1	
19	90201-20028	WASHER, PLATE	1	
20	3B4-17223-10	GEAR, HIGH WHEEL (29T)	1	
21	90387-20021	COLLAR	1	
22	90201-170U8	WASHER, PLATE	1	
23	93306-20464	BEARING	1	
24	93306-20309	BEARING	1	
25	3B4-17432-00	AXLE, IDLE	1	
26	3B4-17243-00	GEAR, REVERSE WHEEL 1 (23T)	1	
27	90201-150U6	WASHER, PLATE	2	

Fig. 16 TRANSMISSION



Ref. No.	Part No.	Description		Remarks
	28 93440-15012	CIRCLIP	2	
	29 3B4-17520-00	DRIVE PINION ASSY (41T)	1	
	30 93306-30438	BEARING	1	
<hr/>				
<hr/>				
<hr/>				
<hr/>				
<hr/>				
<hr/>				
<hr/>				
<hr/>				

Fig. 04 VALVE

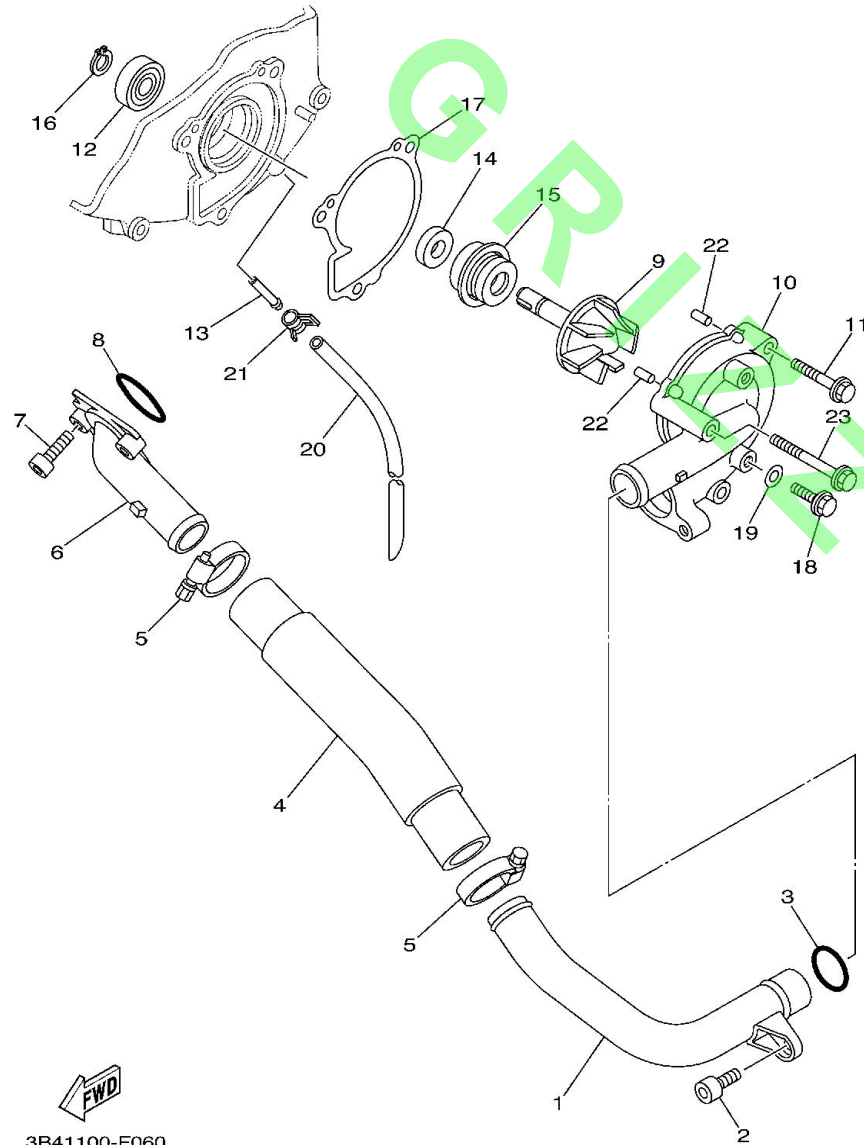


Ref. No.	Part No.	Description	Quantity	Remarks
	1 5VK-12111-00	VALVE, INTAKE	2	
	2 5VK-12121-00	VALVE, EXHAUST	2	
	3 5VK-12113-00	SPRING, VALVE INNER	4	
	4 3YF-12116-00	SEAT, VALVE SPRING	4	
	5 5H0-12119-00	SEAL, VALVE STEM	4	
	6 3YF-12117-01	RETAINER, VALVE SPRING	4	
	7 4G0-12118-00	COTTER, VALVE	8	
	8 5VK-12151-00	ARM, VALVE ROCKER	1	
	9 5VK-12161-00	ARM, VALVE ROCKER 2	1	
	10 5VK-12146-00	SHAFT, ROCKER	2	
	11 5XT-12159-00	SCREW, VALVE ADJUSTING	4	
	12 90170-06128	NUT	4	



1S31100-E040

Fig. 06 WATER PUMP



Ref. No.	Part No.	Description		Remarks
1	3B4-12481-00	PIPE 1	1	
2	91312-06012	BOLT	1	
3	93210-21190	O-RING	1	
4	3B4-12577-00	HOSE 2	1	
5	90450-32015	HOSE CLAMP ASSY	2	
6	5KM-12469-00	JOINT 1	1	
7	91312-06020	BOLT	2	
8	93210-33786	O-RING	1	
9	3B4-12450-00	IMPELLER SHAFT ASSY	1	
10	3B4-12422-00	COVER, HOUSING	1	
11	95022-06030	BOLT, FLANGE	1	
12	93306-00006	BEARING	1	
13	5D3-1243K-00	PIPE, DRAIN	1	
14	93101-10090	OIL SEAL	1	
15	11H-12438-10	SEAL, MECHANICAL	1	
16	99009-10400	CIRCLIP	1	
17	3B4-12428-00	GASKET, HOUSING COVER 2	1	
18	95022-06010	BOLT, FLANGE	2	
19	90430-06014	GASKET	2	
20	90445-07340	HOSE (L310)	1	
21	90467-07093	CLIP	1	
22	93604-10011	PIN, DOWEL	2	
23	95022-06050	BOLT, FLANGE	1	